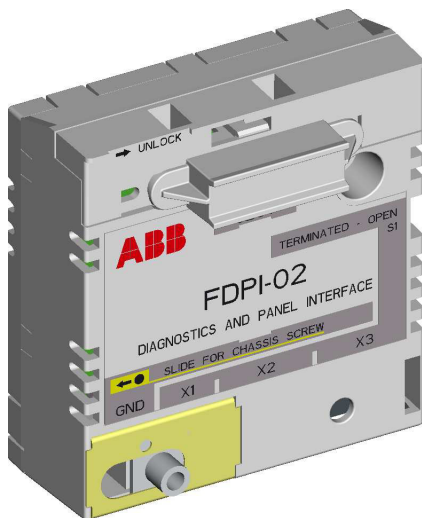


Options for ABB drives, converters and inverters

User's manual

FDPI-02 diagnostics and panel interface



Power and productivity
for a better world™



Table of contents

1. FDPI-02 diagnostics and panel interface

Safety	5
Product overview	5
Layout	6
Mechanical installation	9
Installing the FDPI-02 onto the control unit	9
Installing an F-option module onto the installed FDPI-02 ..	11
Electrical installation	13
Connecting the FDPI-02 to the control unit	13
Connecting a control panel to the FDPI-02	14
Chaining a control panel to several drives	16
Connecting a PC to the FDPI-02	19
Connecting a PC through a control panel	19
Chaining a PC to several drives	22
Chaining a PC connected through a control panel.	22
Connecting chains to the PC's USB port	22
Chaining a PC connected to a commercial converter ..	23
Panel bus termination and chaining examples	25
Example: Chaining a control panel	25
Example: Chaining a PC through a control panel	26
Example: Connecting chains to the PC's USB port	27
Example: Chaining a PC through a commercial converter	28
Pin allocation	29
Technical data	30
RS-485 bus	31
Dimension drawing	32
 Further information	
Product and service inquiries	35
Product training	35
Providing feedback on ABB Drives manuals	35



4 *Table of contents*

Document library on the Internet	35
--	----



FDPI-02 diagnostics and panel interface

Safety



WARNING! Follow the safety instructions of the manuals delivered with the drive. Ignoring the safety instructions can cause injury or death.

Product overview

FDPI-02 diagnostics and panel interface is used for branching the RS-485 panel bus and chaining a control panel or PC tool to several drives.

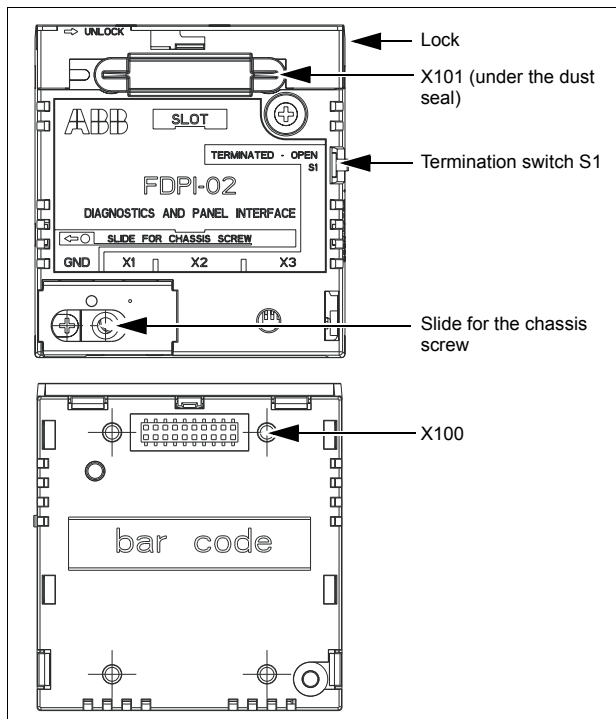
The interface unit provides a feed-through connection between a control unit and an F-type option module. It is compatible with the ZCU-xx and BCU-xx control units. The interface unit is installed in an option slot of the control unit. A small F-type option module can then be installed on top of the interface unit.

The interface unit has one RJ-11 and two RJ-45 connectors. The RJ-11 connector is used for connecting the control unit. The RJ-45 connectors support a daisy chain bus for connecting a PC or a control panel (simultaneous control panel and PC communication is not allowed).

Bus termination is required to prevent signal reflections from the bus cable ends. The interface unit has a bus termination switch for the panel/PC cable. If the unit is the first or the last unit of the bus, the termination switch must be in the TERMINATED position. If a control panel is connected to the bus end, it terminates the bus and only the other end must be terminated by termination switch S1. For a termination example, see section [Panel bus termination and chaining examples](#) on page 25.

Layout

The following figures show the layout of the interface unit.



Connector or switch	Description
X1	RJ-11 female control unit connector
X2	<p>Daisy chain bus terminal 1, RJ-45 shielded female connector for connecting a control panel</p> <p>The connector feeds the panel supply voltage and LED signals. Chaining the panel to the next drive is done by using terminal 2 (X3). For a chaining example, see Panel bus termination and chaining examples on page 25.</p> <p>Note: To avoid damage caused by the panel voltage or LED signals, do not connect the PC to connector X2. The PC does not support the RS-485 bus.</p>
X3	<p>Daisy chain bus terminal 2, RJ-45 shielded female connector for connecting a PC through a commercial USB - RS485 converter or Ethernet - RS485 converter.</p> <p>Chaining the PC to next the drive is done by using terminal 1 (X2). For a chaining example, see Panel bus termination and chaining examples on page 25.</p> <p>Note: To avoid damage caused by the panel voltage or LED signals, do not connect the PC to connector X2.</p>
Termination switch S1	<p>Switch S1 connects 120 ohm termination resistors to the bus.</p> <p>If the unit is the first or the last unit of the bus, the termination switch must be in the TERMINATED position. Otherwise it must be in the OPEN position.</p> <p>Note: If a control panel is connected to the bus end, it terminates the bus and only the other end must be terminated by termination switch S1.</p>
X100	Option slot interface, female connector on the bottom of the FDPI-02 for connecting the interface unit to the control unit and providing a feed-through connection between the control unit and the F-type option
X101	Option slot interface, male connector on the top of the FDPI-02 for connecting a small F-type option to the interface unit and providing a feed-through connection between the control unit and the F-type option

8 FDPI-02 diagnostics and panel interface

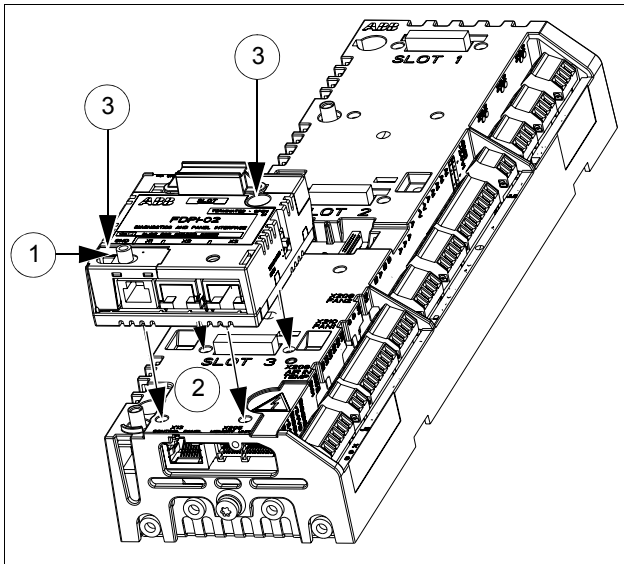
Connector or switch	Description
Slide for chassis screw	When installing the FDPI-02 onto the control unit, move the slide for the chassis screw to the right. When installing an F-option onto the interface unit, move the slide for the chassis screw to the left.
Lock	Lock for fixing the F-option onto the FDPI-02

Mechanical installation

■ Installing the FDPI-02 onto the control unit

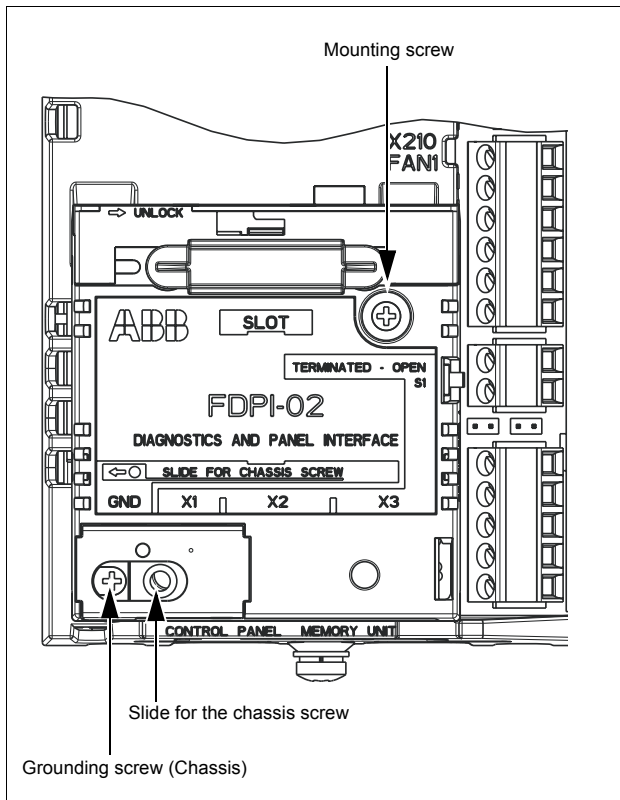
1. On the FDPI-02 interface unit, move the slide for the chassis screw to the right.
2. Insert the interface unit into its designated option slot on the control unit (usually the option slot nearest to the panel bus connector of the control unit).
3. Fasten the unit with two screws.

Note: Tighten the grounding screw tight enough to ensure proper grounding. For its location, see the following figures.



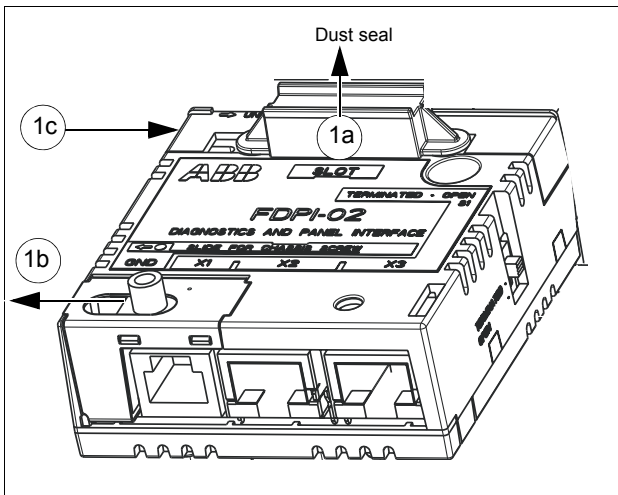
10 FDPI-02 diagnostics and panel interface

The screw on the lower left corner provides grounding of the bus cable shield connected to the unit.

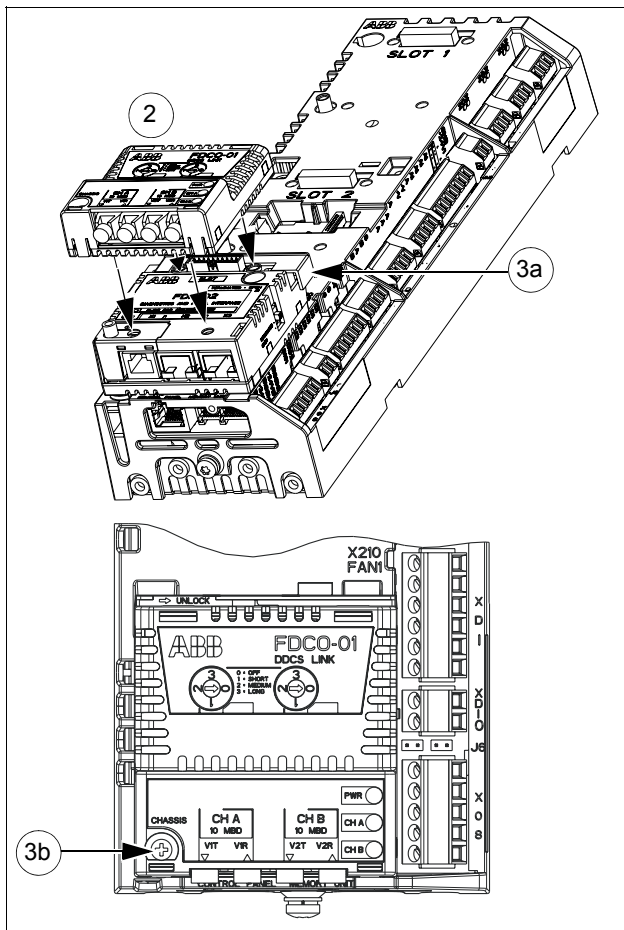


■ Installing an F-option module onto the installed FDPI-02

1. On the interface unit, remove the dust seal (1a), move the slide for the chassis screw to the left (1b) and open the lock (1c).
2. Install the option module onto the interface unit.
3. Close the lock (3a) and fasten the module with the chassis screw (3b).



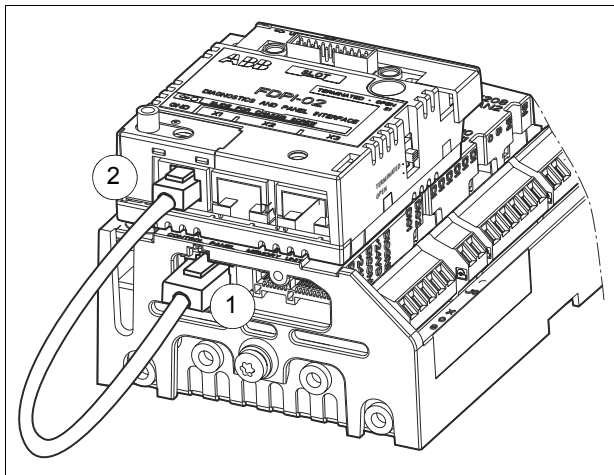
12 FDPI-02 diagnostics and panel interface



Electrical installation

■ Connecting the FDPI-02 to the control unit

1. Connect the RJ-45 end of the connection cable to the panel bus connector of the control unit. The cable is included in the delivery.
2. Connect the RJ-11 end of the cable to connector X1 of the FDPI-02 unit.



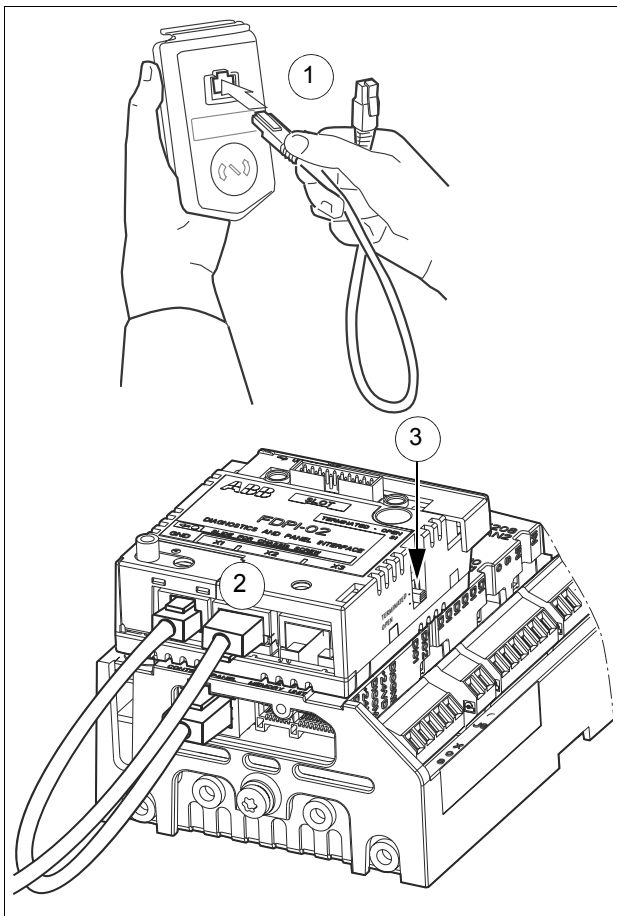
■ Connecting a control panel to the FDPI-02

Notes:

- The FDPI-02 cannot be used for connection to an Ethernet network.
 - To avoid damage caused by the panel voltage or LED signals, do not connect the PC to connector X2.
1. Connect a shielded CAT 5e or better Ethernet cable to the RJ-45 connector of the control panel. For more information on the cable, see *RS-485 bus* on page 31.
 2. Connect the other end of the cable to connector X2 of the FDPI-02 unit.
 3. Check that termination switch S1 of the FDPI-02 is in the OPEN position.

Note: When a control panel is connected to the bus end, it terminates the bus. Only the other end must be terminated by turning termination switch S1 to the TERMINATED position.

For starting up the control panel, see *ACS-AP-x Assistant control panels user's manual* [3AUA0000085685 (English)].



■ Chaining a control panel to several drives

You can use the FDPI-02 interface unit for chaining a control panel to several drives.

After connecting the first interface unit to the drive's control unit and the control panel to the interface unit, continue as follows:

1. Install and connect the second interface unit to the second drive's control unit. For instructions, see sections [Installing the FDPI-02 onto the control unit](#) on page 9 and [Connecting the FDPI-02 to the control unit](#) on page 13.
2. Before connecting the drive to a network, set the parameters of group 49 Panel port communication of ACS880 primary control program for each drive manually using the control panel.

Notes:

- All devices connected to the network must have a unique node ID (Parameter 49.01 Node ID number). For networked drives, it is advisable to reserve ID 1 for spare/replacement drives. Start numbering from ID 2.
- The baud rate has to be the same for all nodes on the bus (Parameter 49.03 Baud rate).
- Set parameter 49.05 Communication loss action value as Last speed (2).

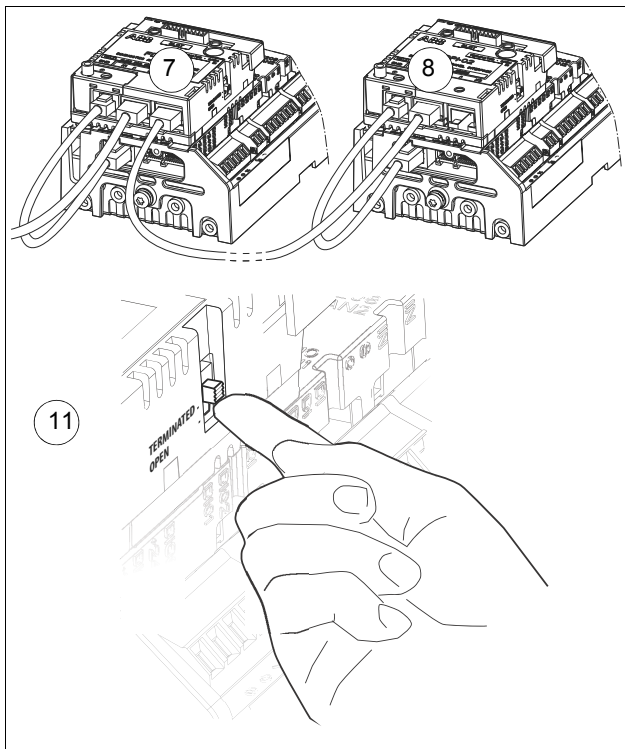
For more information on using the control panel, see *ACS-AP-x Assistant control panels user's manual* [3AUA0000085685 (English)].

3. Install and connect the third interface unit to the third drive's control unit, set the parameters of group 49 and so on.

Note: Maximum 32 nodes can be connected to the RS-485 bus. For a chaining example, see section [Panel bus termination and chaining examples](#) on page 25

4. To enable the panel bus networking, select in the **Options** menu of the control panel the **Select drive** menu, then **Panel bus** and **On**. Press **Save** to save the settings. For more information, see *ACS-AP-x Assistant control panels user's manual* [3AUA0000085685 (English)].
5. Connect a shielded CAT 5e or better Ethernet cable to connector X3 of the first interface unit. For more information on the cable, see [RS-485 bus](#) on page 31
6. Connect the other end of the cable to connector X2 of the second interface unit.
7. Connect a similar cable to connector X3 of the second interface unit.
8. Connect the other end of the cable to connector X2 of the third interface unit and so on.
9. In the last interface unit of the bus, terminate the bus by turning termination switch S1 of the interface unit to the TERMINATED position.

For a chaining and termination example, see section [Example: Chaining a control panel](#) on page 25.



■ Connecting a PC to the FDPI-02

You can connect a PC to the FDPI-02 unit either through a control panel or to a commercial USB - RS485 converter or Ethernet - RS485 converter.

Notes:

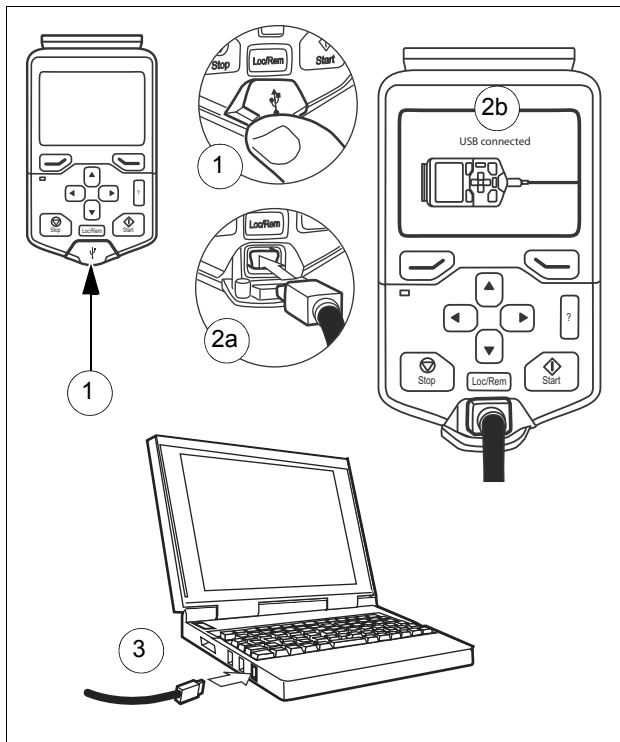
- Never connect the PC to connector X2 of FDPI-02. The panel voltage or LED signals may cause damage to the PC.
- Simultaneous control panel and PC communication is not allowed.
- The FDPI-02 cannot be used for connection to an Ethernet network.

Connecting a PC through a control panel

For connecting a PC to a control panel (connected to the FDPI-02):

1. Lift the USB connector cover on the control panel from bottom upwards.
2. Insert the USB cable Mini-B plug in the control panel USB connector (a). -> The panel displays: USB connected (b).
3. Insert the USB cable A-plug in the USB connector of the PC.

For more information on connecting a PC tool to a drive through the control panel, see *ACS-AP-x Assistant control panels user's manual* [3AUA0000085685 (English)].



Connecting a PC through a commercial converter

Notes:

- Never connect the PC to connector X2 of FDPI-02. The panel voltage or LED signals may cause damage to the PC.
- Simultaneous control panel and PC communication is not allowed.
- The FDPI-02 cannot be used for connection to an Ethernet network.

For connecting a commercial USB - RS485 converter or Ethernet - RS485 converter to the FDPI-02:

1. Connect a shielded CAT 5e or better Ethernet cable to the connector of the converter. For information on the converter connectors, see the appropriate converter manual. For more information on the cable, see [RS-485 bus](#) on page [31](#).
2. Connect the other end of the cable to connector X3 of the FDPI-02 unit. For the X3 pin information, see section [Pin allocation](#) on page [29](#).
3. Check that termination switch S1 of the FDPI-02 is in the OPEN position.

For connecting the PC to the commercial USB - RS485 converter or Ethernet - RS485 converter, see the appropriate converter and PC manuals.

■ Chaining a PC to several drives

Chaining a PC connected through a control panel

The PC connected to the FDPI-02 interface unit through a control panel is chained to several drives the same way as the control panel.

1. Install and connect the interface units, set the parameters of group 49 for the drives, enable the panel bus networking, connect the chain cables and terminate the bus. For the instructions, see section [Chaining a control panel to several drives](#) on page 16.
2. Connect the PC to the control panel. For the instructions, see section [Connecting a PC through a control panel](#) on page 19.

For a chaining example, see section [Example: Chaining a PC through a control panel](#) on page 26.

Connecting chains to the PC's USB port

You can connect chained control panels to more than one USB ports of the same PC. The number of the chains is limited only by the number of the PC's USB ports.

Notes:

- Each chain can contain maximum 32 drives.
- Each chain must be terminated with the control panel on one end and with termination switch S1 of FDPI-02 on the other end.

For the chaining instructions, see section [Chaining a PC to several drives](#) on page 22. For a chaining example, see [Example: Connecting chains to the PC's USB port](#) on page 27.

Chaining a PC connected to a commercial converter

You can use the FDPI-02 interface unit for chaining a PC to several drives through a commercial USB - RS485 converter or Ethernet - RS485 converter.

After connecting the first FDPI-02 interface unit to the drive's control unit and the commercial converter to the interface unit, continue as follows:

1. Install and connect the second interface unit to the second drive's control unit. For instructions, see sections [Installing the FDPI-02 onto the control unit](#) on page 9 and [Connecting the FDPI-02 to the control unit](#) on page 13.
2. Before connecting the drive to a network, set the parameters of group 49 Panel port communication of ACS880 primary control program for each drive manually using the control panel.

Notes:

- All devices connected to the network must have a unique node ID (Parameter 49.01 Node ID number). For networked drives, it is advisable to reserve ID 1 for spare/replacement drives. Start numbering from ID 2.
- The baud rate has to be the same for all nodes on the bus (Parameter 49.03 Baud rate).
- Set parameter 49.05 Communication loss action value as Last speed (2).

For more information on using the control panel, see *ACS-AP-x Assistant control panels user's manual* [3AUA0000085685 (English)].

3. Install and connect the third interface unit to the third drive's control unit, set the parameters of group 49 and so on.

Note: Maximum 32 nodes can be connected to the RS-485 bus. For a chaining example, see section [Example: Chaining a PC through a commercial converter](#) on page 28.

4. To enable the panel bus networking, select in the **Options** menu of the control panel the **Select drive** menu, then **Panel bus** and **On**. Press **Save** to save the settings. For more information, see *ACS-AP-x Assistant control panels user's manual* [3AUA0000085685 (English)].
5. Connect a shielded CAT 5e or better Ethernet cable to connector X2 of the first interface unit. For more information on the cable, see [RS-485 bus](#) on page 31
6. Connect the other end of the cable to connector X3 of the second interface unit.
7. Connect a similar cable to connector X2 of the second interface unit.
8. Connect the other end of the cable to connector X3 of the third interface unit and so on.
9. In the last interface unit of the bus, terminate the bus by turning termination switch S1 of the interface unit to the TERMINATED position.

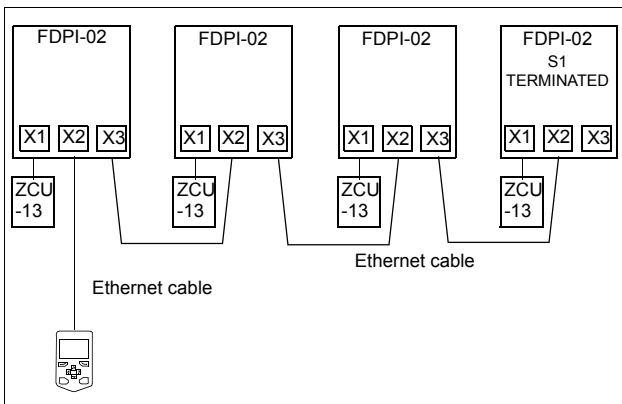
For a chaining and termination example, see section [Example: Chaining a PC through a commercial converter](#) on page 28

■ Panel bus termination and chaining examples

Bus termination is required to prevent signal reflections from the bus cable ends. If a control panel is connected to the bus end, it terminates the bus and only the other end must be terminated. In the last FDPI-02 interface unit of the bus, termination switch S1 of the interface unit must be turned to the TERMINATED position. In the following examples, ZCU-13 is used as the control unit.

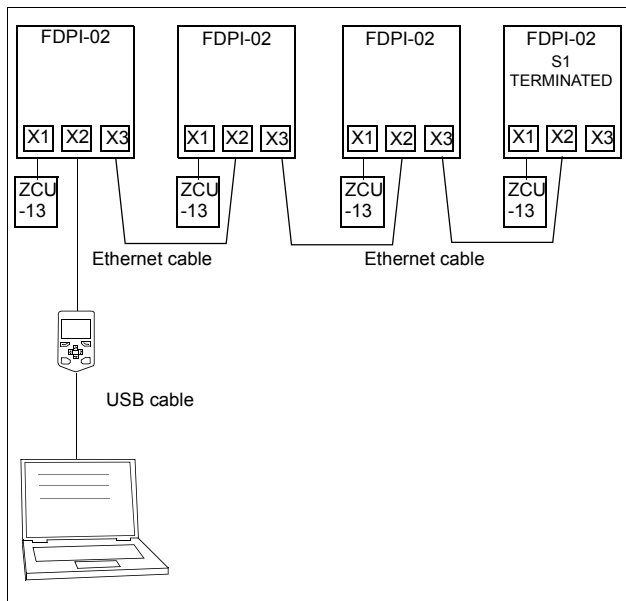
Example: Chaining a control panel

The following figure shows how a control panel is chained to several drives.



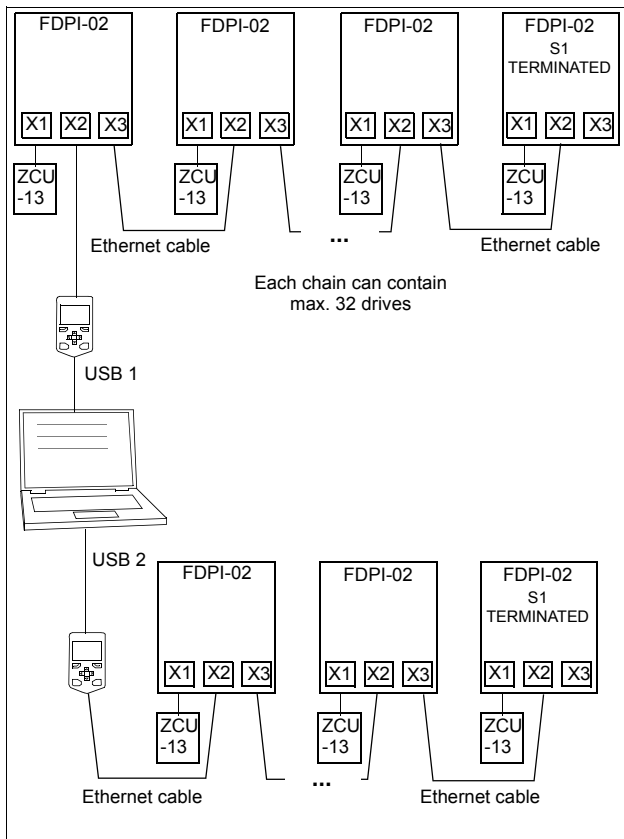
Example: Chaining a PC through a control panel

The following figure shows how a PC is chained to several drives through a control panel.



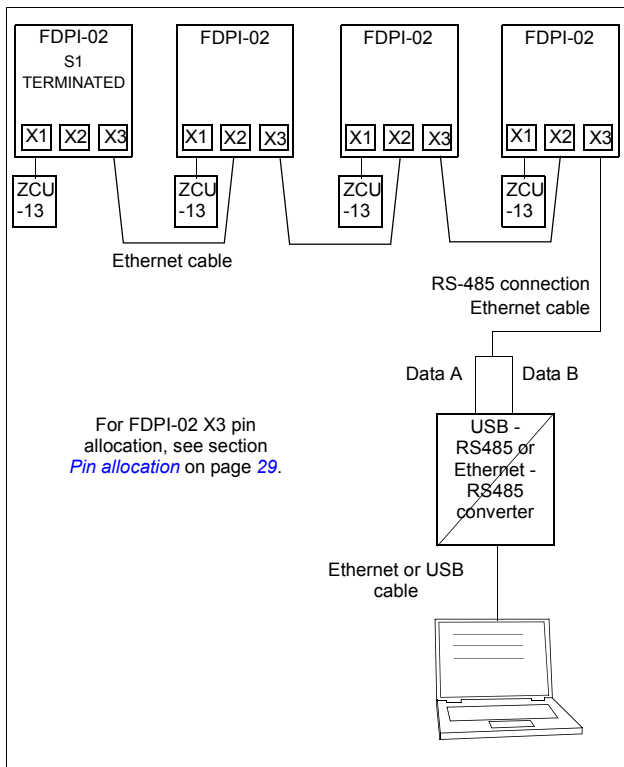
Example: Connecting chains to the PC's USB port

The following figure shows how you can connect chains to the PC's USB ports.



Example: Chaining a PC through a commercial converter

The following figure shows how a PC is chained to several drives through a commercial converter.



Pin allocation

The following tables list the pins of connectors X1, X2 and X3 of FDPI-02.

X1		Dir.	Description
1.	A	In/Out	Transmit / receive differential - signal (RS-485)
2.	B	In/Out	Transmit / receive differential + signal (RS-485)
3.	NC	In	LED driver input, open collector
4.	NC	In	LED driver input, open collector
5.	GND	-	Ground
6.	VCC	In	15 V DC in

X2		Dir.	Description
1.	A	In/Out	Transmit / receive differential - signal (RS-485)
2.	B	In/Out	Transmit / receive differential + signal (RS-485)
3.	LED1	Out	LED driver input, open collector
4.	LED2	Out	LED driver input, open collector
5.	GND	-	Ground
6.	GND	-	Ground
7.	GND	-	Ground
8.	VCC	Out	15 V DC out

X3		Dir.	Description
1.	A	In/Out	Transmit / receive differential - signal (RS-485)
2.	B	In/Out	Transmit / receive differential + signal (RS-485)
3.	NC	-	Not connected (reserved for LED1 / /TRANS)
4.	NC	-	Not connected (reserved for LED1 / /TRANS)
5.	GND	-	Ground
6.	GND	-	Ground
7.	GND	-	Ground
8.	NC	-	Not connected (reserved for 15 V DC VCC)

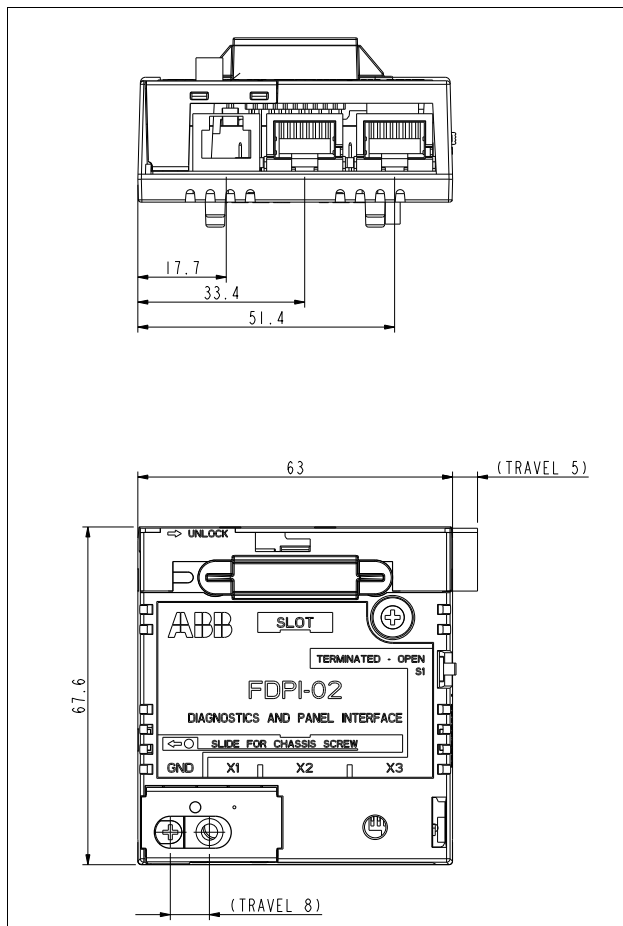
Technical data

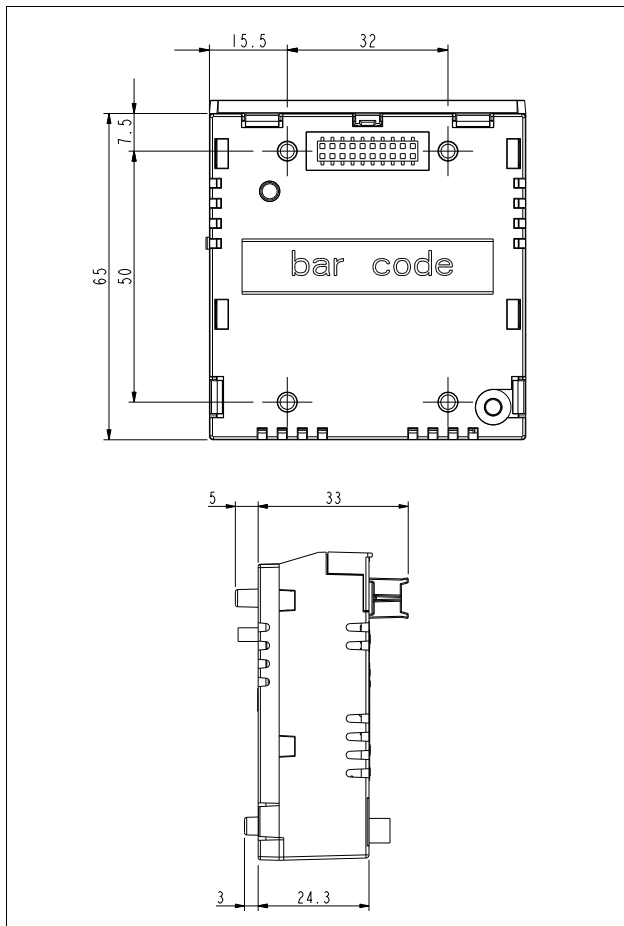
Compatible devices	ZCU-xx and BCU-xx control units ACS-AP-I assistant control panel PC tool Drive composer Small F-type options
Mounting	Into the designated option slot of the BCU-xx or ZCU-xx control unit (usually the option slot nearest to the panel bus connector of the control unit)
Degree of protection	IP20
Ambient conditions	Operating temperature: +0...+70 °C (+32...+158 °F) Storage temperature: -40...+70 °C (-104...+158 °F) Maximum relative humidity: 95% (non condensing)
Connectors	6-pin female connector to the control unit (X1, RJ-11) 8-pin shielded female connector to the control panel (X2, RJ-45) 8-pin shielded female connector to the PC (X3, RJ-45) 20-pin female connector to the control unit for providing a feed-through connection between the control unit and the F-type option (X100) 20-pin male connector to a small F-type option for providing a feed-through connection between the control unit and the F-type option (X101).
General	Estimated lifetime 20 years PCB materials UL recognized Complies with EMC standard EN 61800-3:2004 Printed circuit board coated

■ RS-485 bus

Purpose	Used as a PC bus or control panel bus
Maximum length	For the cable length, see <i>ACS-AP-x Assistant control panels user's manual</i> [3AUA0000085685 (English)] or the appropriate USB - RS485 converter or Ethernet - RS485 converter manual.
Maximum number of nodes	Maximum 32 nodes (panel / PC and drives)
Medium	Shielded CAT 5e or better Ethernet cable Termination: 120 ohms (with termination switch S1 built in the interface unit) Note: Only the cable connected between the FDPI-02 and the control unit is included in the delivery.

Dimension drawing





Further information

Product and service inquiries

Address any inquiries about the product to your local ABB representative, quoting the type designation and serial number of the unit in question. A listing of ABB sales, support and service contacts can be found by navigating to www.abb.com/drives and selecting *Sales, Support and Service network*.

Product training

For information on ABB product training, navigate to www.abb.com/drives and select *Training courses*.

Providing feedback on ABB Drives manuals

Your comments on our manuals are welcome. Go to www.abb.com/drives and select *Document Library – Manuals feedback form (LV AC drives)*.

Document library on the Internet

You can find manuals and other product documents in PDF format on the Internet. Go to www.abb.com/drives and select *Document Library*. You can browse the library or enter selection criteria, for example a document code, in the search field.

Contact us

www.abb.com/drives

www.abb.com/solar

www.abb.com/windpower

www.abb.com/drivespartners

3AJUA0000113618 Rev A (EN) 2012-05-31

Power and productivity
for a better world™

