

User's manual MicroFlex servo drive



Contents

1	General Information	
2	Introduction	
2.1	MicroFlex features	2-1
2.2	Receiving and inspection	2-2
2.2.1	Identifying the catalog number	2-2
2.3	Units and abbreviations	2-3
3	Basic Installation	
3.1	Introduction	3-1
3.1.1	Power sources	3-1
3.1.2	Hardware requirements	3-1
3.1.3	Tools and miscellaneous hardware	3-2
3.1.4	Other information needed for installation	3-2
3.2	Mechanical installation and cooling requirements	3-3
3.2.1	Dimensions	3-4
3.2.2	Mounting and cooling the MicroFlex	3-5
3.2.3	Derating characteristic - 3 A model	3-6
3.2.4	Derating characteristic - 6 A model	3-7
3.2.5	Derating characteristic - 9 A model	3-8
3.2.6	Overtemperature trips	3-8
3.3	Connector locations	3-9
3.4	Power connections	3-10
3.4.1	Earthing / grounding	3-10
3.4.2	Single-phase or three-phase power connections	3-11
3.4.3	Input power conditioning	3-12
3.4.4	Power disconnect and protection devices	3-13
3.4.5	Recommended fuses and wire sizes	3-14
3.4.6	Drive overload protection	3-14
3.4.7	Power supply filters	3-15
3.4.8	24 V control circuit supply	3-16
3.5	Motor connections	3-17
3.5.1	Motor circuit contactors	3-18
3.5.2	Sinusoidal filter	3-18
3.6	Brake resistor	3-19
3.6.1	Braking capacity	3-19
3.7	Brake resistor selection	3-20
3.7.1	Required information	3-20
3.7.2	Braking energy	3-21

3.7.3	Braking power and average power	3-21
3.7.4	Resistor choice	3-22
3.7.5	Resistor derating	3-23
4	Feedback	
4.1	Introduction	4-1
4.1.1	Encoder feedback - X8	4-2
4.1.2	SSI feedback - X8	4-6
4.1.3	Resolver feedback - X8	4-7
4.1.4	Encoder output - X7	4-8
5	Input / Output	
5.1	Introduction	5-1
5.2	Analog I/O	5-2
5.2.1	Analog input - X3 (demand)	5-2
5.3	Digital I/O	5-4
5.3.1	Drive enable input - X3	5-5
5.3.2	General purpose digital input - X3	5-7
5.3.3	Step (pulse) and direction inputs - X3	5-9
5.3.4	Status output - X3	5-12
5.4	Serial port - X6	5-14
5.4.1	Using RS232 cable	5-14
5.4.2	Multidrop using RS485 / RS422 cable	5-15
5.4.3	Connecting serial Baldor HMI Operator Panels	5-16
5.5	Connection summary - recommended system wiring	5-17
6	Configuration	
6.1	Introduction	6-1
6.1.1	Connecting the MicroFlex to the PC	6-1
6.1.2	Installing Mint WorkBench	6-1
6.1.3	Starting the MicroFlex	6-2
6.1.4	Preliminary checks	6-2
6.1.5	Power on checks	6-2
6.2	Mint WorkBench	6-3
6.2.1	Help file	6-4
6.2.2	Starting Mint WorkBench	6-5
6.2.3	Commissioning Wizard	6-7
6.2.4	Using the Commissioning Wizard	6-7
6.3	Further configuration	6-8
6.3.1	Fine-tuning tool	6-8
6.3.2	Parameters tool	6-10
6.3.3	Other tools and windows	6-11

7 Troubleshooting

7.1	Introduction	7-1
7.1.1	Problem diagnosis	7-1
7.1.2	SupportMe feature	7-1
7.1.3	Power-cycling the MicroFlex	7-1
7.2	Status LED	7-2
7.2.1	Communication	7-3
7.2.2	Power on	7-4
7.2.3	Tuning	7-4

8 Specifications

8.1	Introduction	8-1
8.1.1	AC input power and DC bus voltage (X1)	8-1
8.1.2	24 V DC control circuit supply input (X2)	8-3
8.1.3	Motor output power (X1)	8-3
8.1.4	Braking (X1)	8-3
8.1.5	Analog input (X3)	8-4
8.1.6	Digital inputs - drive enable and general purpose (X3)	8-4
8.1.7	Step and Direction inputs (X3)	8-4
8.1.8	Status output (X3)	8-5
8.1.9	Incremental encoder feedback option (X8)	8-5
8.1.10	SSI encoder feedback option (X8)	8-5
8.1.11	Resolver feedback option (X8)	8-6
8.1.12	Encoder output (simulated) (X7)	8-6
8.1.13	Serial RS232/RS485 interface (X6)	8-6
8.1.14	Environmental	8-7

Appendices

A Accessories

A.1	Introduction	A-1
A.1.1	Fan tray	A-2
A.1.2	Footprint filter	A-3
A.1.3	EMC filters	A-4
A.1.4	Brake resistors	A-7
A.2	Cables	A-8
A.2.1	Motor power cables	A-8
A.2.2	Feedback cable part numbers	A-9

B Control System

B.1	Introduction	B-1
B.1.1	Current (Torque) control	B-2
B.1.2	Velocity (Speed) control	B-3
B.1.3	Position (Step and Direction) control	B-4

C CE, UL and environmental

C.1	Outline	C-1
C.1.1	CE marking	C-1
C.1.2	Compliance with the EMC Directive	C-1
C.1.3	Compliance with the Low Voltage Directive	C-2
C.1.4	Use of CE compliant components	C-2
C.1.5	EMC wiring technique	C-2
C.1.6	EMC installation suggestions	C-3
C.1.7	Wiring of shielded (screened) cables	C-4
C.2	UL file numbers	C-5
C.3	C-tick marking	C-5
C.3.1	RCM marking	C-5
C.4	RoHS compliance	C-5
C.4.1	China RoHS marking	C-6
C.4.2	WEEE notice	C-7

LT0315A03EN Copyright ABB Oy (c) 2017. All rights reserved.

This manual is copyrighted and all rights are reserved. This document or attached software may not, in whole or in part, be copied or reproduced in any form without the prior written consent of ABB.

ABB makes no representations or warranties with respect to the contents hereof and specifically disclaims any implied warranties of fitness for any particular purpose. The information in this document is subject to change without notice. ABB assumes no responsibility for any errors that may appear in this document.

Mint™ is a registered trademarks of Baldor, a member of the ABB group.

Windows XP, Windows Vista and Windows 7 are registered trademarks of the Microsoft Corporation.

UL and cUL are registered trademarks of Underwriters Laboratories.

MicroFlex is UL listed - file NMMS.E470302.

ABB Motion Ltd
6 Hawkley Drive
Bristol, BS32 0BF
United Kingdom

Telephone: +44 (0) 1454 850000
Fax: +44 (0) 1454 859001
E-mail: motionsupport.uk@gb.abb.com
Web site: www.abbmotion.com

See rear cover for other international offices.

Product Notice

Only qualified personnel should attempt to start-up, program or troubleshoot this equipment. This equipment may be connected to other machines that have rotating parts or parts that are controlled by this equipment. Improper use can cause serious or fatal injury.

Safety Notice

Intended use: These drives are intended for use in stationary ground based applications in industrial power installations according to the standards EN60204 and VDE0160. They are designed for machine applications that require variable speed controlled three-phase brushless AC motors. These drives are not intended for use in applications such as:

- Home appliances
- Medical instrumentation
- Mobile vehicles
- Ships
- Airplanes.

Unless otherwise specified, this drive is intended for installation in a suitable enclosure. The enclosure must protect the drive from exposure to excessive or corrosive moisture, dust and dirt or abnormal ambient temperatures. The exact operating specifications are found in section 8 of this manual. The installation, connection and control of drives is a skilled operation, disassembly or repair must not be attempted. In the event that a drive fails to operate correctly, contact the place of purchase for return instructions.

Precautions



Do not touch any circuit board, power device or electrical connection before you first ensure that no high voltage is present at this equipment or other equipment to which it is connected. Electrical shock can cause serious or fatal injury. Only qualified personnel should attempt to start-up, program or troubleshoot this equipment.



The motor circuit might have high voltages present whenever AC power is applied, even when the motor is not moving. Electrical shock can cause serious or fatal injury.



If a motor is driven mechanically, it might generate hazardous voltages that are conducted to its power terminals. The enclosure must be earthed/grounded to prevent possible shock hazard.



Be sure the system is properly earthed/grounded before applying power. Do not apply AC power before you ensure that earths/grounds are connected. Electrical shock can cause serious or fatal injury.



Be sure all wiring complies with the National Electrical Code and all regional and local codes. Improper wiring may result in unsafe conditions.



Be sure that you are completely familiar with the safe operation and programming of this equipment. This equipment may be connected to other machines that have rotating parts or parts that are controlled by this equipment. Improper use can cause serious or fatal injury.



MEDICAL DEVICE / PACEMAKER DANGER: Magnetic and electromagnetic fields in the vicinity of current carrying conductors and industrial motors can result in a serious health hazard to persons with cardiac pacemakers, internal cardiac defibrillators, neurostimulators, metal implants, cochlear implants, hearing aids, and other medical devices. To avoid risk, stay away from the area surrounding a motor and its current carrying conductors.



The stop input to this equipment should not be used as the single means of achieving a safety critical stop. Drive disable, motor disconnect, motor brake and other means should be used as appropriate.



Improper operation or programming of the drive may cause violent motion of the motor and driven equipment. Be certain that unexpected motor movement will not cause injury to personnel or damage to equipment. Peak torque of several times the rated motor torque can occur during control failure.



When operating a rotary motor with no load coupled to its shaft, remove the shaft key to prevent it flying out when the shaft rotates.



A brake resistor may generate enough heat to ignite combustible materials. To avoid fire hazard, keep all combustible materials and flammable vapors away from the brake resistors. Some brake resistors are neither internally fused nor thermally protected and under extreme conditions, can cause a fire hazard if not suitably protected or rated for the application.



To prevent equipment damage, be certain that the input power has correctly sized protective devices installed.



To prevent equipment damage, be certain that input and output signals are powered and referenced correctly.



To ensure reliable performance of this equipment be certain that all signals to/from the drive are shielded correctly.



Suitable for use on a circuit capable of delivering not more than the RMS symmetrical short circuit amperes listed here at rated voltage.

<u>Horsepower</u>	<u>RMS Symmetrical Amperes</u>
1-50	5,000



Avoid locating the drive immediately above or beside heat generating equipment, or directly below water or steam pipes.



NOTICE

Avoid locating the drive in the vicinity of corrosive substances or vapors, metal particles and dust.



NOTICE

Do not connect AC power to the drive terminals U, V and W. Connecting AC power to these terminals may result in damage to the drive.



NOTICE

ABB does not recommend using “Grounded Leg Delta” transformer power leads that may create earth/ground loops and degrade system performance. Instead, we recommend using a four wire Wye.



NOTICE

Drives are intended to be connected to a permanent main power source, not a portable power source. Suitable fusing and circuit protection devices are required.



NOTICE

The safe integration of the drive into a machine system is the responsibility of the machine designer. Be sure to comply with the local safety requirements at the place where the machine is to be used. In Europe these are the Machinery Directive, the ElectroMagnetic Compatibility Directive and the Low Voltage Directive. In the United States this is the National Electrical code and local codes.



NOTICE

Drives must be installed inside an electrical cabinet that provides environmental control and protection. Installation information for the drive is provided in this manual. Motors and controlling devices that connect to the drive should have specifications compatible to the drive.



NOTICE

If the drive is subjected to high potential ('hipot') testing, only DC voltages may be applied. AC voltage hipot tests could damage the drive. For further information please contact your local ABB representative.



NOTICE

Failure to meet cooling air flow requirements will result in reduced product lifetime and/or drive overtemperature trips.



NOTICE

Violent jamming (stopping) of the motor during operation may damage the motor and drive.



NOTICE

Operating the MicroFlex in Torque mode with no load attached to the motor can cause the motor to accelerate rapidly to excessive speed.



NOTICE

If the drive enable signal is already present when power is applied to the MicroFlex, the motor could begin to move immediately.



NOTICE

Do not tin (solder) exposed wires. Solder contracts over time and may cause loose connections. Use crimp connections where possible.



NOTICE

Electrical components can be damaged by static electricity. Use ESD (electrostatic discharge) procedures when handling this drive.



Ensure that encoder wires are properly connected. Incorrect installation may result in improper movement.



The threaded holes in the top and bottom of the case are for cable clamps. The holes are 11.5 mm (0.45 in) deep and accept M4 screws, which must be screwed in to a depth of at least 8 mm (0.31 in).



The metal heatsink on the left side of the MicroFlex can become very hot during normal operation.



Motor overtemperature sensing is required to satisfy UL 508C. The drive has no provisions for motor overtemperature protection, so external provisions are required.



Removing the cover will invalidate UL certification.

2.1 MicroFlex features

The MicroFlex is a versatile brushless servo drive, providing a flexible and powerful motion control solution for rotary and linear motors. Standard features include:

- Single axis AC brushless drive.
- Range of models with continuous current ratings of 3 A, 6 A or 9 A.
- Direct connection to 115 V AC or 230 V AC single-phase, or 230 V AC three-phase supplies.
- SSI, incremental encoder, or resolver feedback.
- Velocity and current control, with step and direction input for position control.
- Auto-tuning wizard (including position loop) and software oscilloscope facilities provided by Mint WorkBench configuration software.
- 2 optically isolated digital inputs (one enable input and one general purpose input).
- 1 optically isolated digital output to indicate error conditions.
- 1 general-purpose analog input (can be used as a speed or torque command reference).
- RS232 or RS485 communications (model dependent) for setup and diagnostics.

MicroFlex will operate with a large range of brushless rotary and linear servo motors - for information on selecting Baldor servo motors, please see the sales brochure BR1202 available from your local ABB representative.

This manual is intended to guide you through the installation of MicroFlex. The sections should be read in sequence.

The *Basic Installation* section describes the mechanical installation of the MicroFlex, the power supply connections and motor connections. The other sections require knowledge of the low level input/output requirements of the installation and an understanding of computer software installation. If you are not qualified in these areas you should seek assistance before proceeding.

2.2 Receiving and inspection

When you receive your MicroFlex, there are several things you should do immediately:

1. Check the condition of the shipping container and report any damage immediately to the carrier that delivered your MicroFlex.
2. Remove the MicroFlex from the shipping container and remove all packing material. The container and packing materials may be retained for future shipment.
3. Verify that the catalog number of the MicroFlex you received is the same as the catalog number listed on your purchase order. The catalog number is described in the next section.
4. Inspect the MicroFlex for external damage during shipment and report any damage to the carrier that delivered your MicroFlex.
5. If MicroFlex is to be stored for several weeks before use, be sure that it is stored in a location that conforms to the storage humidity and temperature specifications shown in section 8.1.14.

2.2.1 Identifying the catalog number

The MicroFlex is available with different current ratings. The catalog number is marked on the side of the unit. It is a good idea to look for the catalog number (sometimes shown as ID/No:) and write it in the space provided here:

Catalog number: **FMH**_____

Installed at: _____

Date: _____

A description of a catalog number is shown here, using the example **FMH2A03TR-EN23W**:

	Meaning	Alternatives
FMH	MicroFlex family	-
2	Requires an AC supply voltage of 115-230 Volts, 1Φ or 3Φ	-
A03	Continuous current rating of 3 A	A06 =6 A; A09 =9 A
T	Built in AC power supply	-
R	Requires external brake resistor	-
E	Supported feedback types are encoder or SSI	R =Resolver feedback
N	No options specified	-
2	Serial port type is RS232	4 = RS485
3	24 V DC supply is required to power the control logic	-

2.2.1.1 Serial number

The first digit of the serial number refers to the manufacturing plant. The next four digits refer to the unit's manufacturing year and week, respectively. The remaining digits complete the serial number so that there are no two units with the same number.

2.3 Units and abbreviations

The following units and abbreviations may appear in this manual:

A	Ampere
AC	Alternating current
DC	Direct current
dB	decibel
kW	kilowatt
mA	milliampere
mH	millihenry
mΩ	milliohm
pF	picofarad
V	Volt (also V AC and V DC)
W	Watt
μA	microampere
μH	microhenry
μF	microfarad
Ω	Ohm
Hz	hertz
kHz	kilohertz
MHz	megahertz
ms	millisecond
ns	nanosecond
s	second
μs	microsecond
Φ	phase
CD	Compact Disc
CTRL+E	on the PC keyboard, press Ctrl then E at the same time.
Kbaud	kilobaud (the same as Kbit/s in most applications)
MB	megabytes
ft	feet
ft/s	feet per second
in	inch
lb-in	pound-inch (torque)
mm	millimeter
m	meter
m/s	meters per second
N·m	Newton-meter (torque)
ADC	Analog to Digital Converter
AWG	American Wire Gauge
DAC	Digital to Analog Converter
SSI	Synchronous Serial Interface
(NC)	Not Connected

3.1 Introduction

You should read all the sections in *Basic Installation* to ensure safe installation.

This section describes the mechanical and electrical installation of the MicroFlex in the following stages:

- Location considerations
- Mounting the MicroFlex
- Connecting the AC power supply
- Connecting the 24 V DC control circuit supply
- Connecting the motor
- Installing a brake resistor
- Connecting the feedback device

These stages should be read and followed in sequence.

3.1.1 Power sources

A 115 - 230 V AC power source (IEC1010 over-voltage category III or less) in the installation area is required. This may be single-phase or three-phase. An AC power filter is required to comply with the CE directive for which the MicroFlex was tested (see section 3.4.7).

The 24 V DC control circuit supply must be a regulated power supply with a continuous current supply capability of 1 A (4 A power on surge).

3.1.2 Hardware requirements

The components you will need to complete the basic installation are:

- The motor that will be connected to the MicroFlex.
- A motor power cable.
- An encoder feedback cable (and Hall cable for linear motors), or resolver cable.
- A serial cable connected as shown in section 5.4.
- (Optional) A brake resistor might be required, depending on the application. Without the brake resistor, the drive may produce an overvoltage fault. All MicroFlex models have overvoltage sensing circuitry. Brake resistors may be purchased separately - see Appendix A.
- A cooling fan may be required to allow operation of the MicroFlex at full rated current (see section 3.2.2).

- A PC that fulfills the following specification:

	Minimum specification
Processor	1 GHz
RAM	512 MB
Hard disk space	2 GB
CD-ROM	A CD-ROM drive
Serial port	RS232 or RS485 serial port (depending on MicroFlex model)
Screen	1024 x 768, 16-bit color
Mouse	A mouse or similar pointing device
Operating system	Windows XP or newer, 32-bit or 64-bit

3.1.3 Tools and miscellaneous hardware

- Your PC operating system user manual might be useful if you are not familiar with Windows
- Small screwdriver(s) with a blade width of 3 mm or less for connector X1, and 2.5 mm (1/10 in) or less for connector X3.
- M5 screws or bolts for mounting the MicroFlex
- Crimping tool.

3.1.4 Other information needed for installation

This information is useful (but not essential) to complete the installation:

- The data sheet or manual provided with your motor, describing the wiring information of the motor cables/connectors
- Knowledge of whether the digital input signal will be 'Active Low' or 'Active High'.

3.2 Mechanical installation and cooling requirements

It is essential that you read and understand this section before beginning the installation.



To prevent equipment damage, be certain that the input power has correctly rated protective devices installed.



To prevent equipment damage, be certain that input and output signals are powered and referenced correctly.



To ensure reliable performance of this equipment be certain that all signals to/ from the MicroFlex are shielded correctly.



Avoid locating the MicroFlex immediately above or beside heat generating equipment, or directly below water steam pipes.



Avoid locating the MicroFlex in the vicinity of corrosive substances or vapors, metal particles and dust.



Failure to meet cooling air flow requirements will result in reduced product lifetime and/or drive overtemperature trips.

The safe operation of this equipment depends upon its use in the appropriate environment. The following points must be considered:

- The MicroFlex must be installed indoors, permanently fixed and located so that it can only be accessed by service personnel using tools.
- The maximum suggested operating altitude is 1000 m (3300 ft).
- The MicroFlex must be installed where the pollution degree according to IEC 60664-1 shall not exceed 2.
- The 24 V DC control circuit supply must be installed so that the 24 V DC supplied to the unit is isolated from the AC supply using double or reinforced insulation.
- The input of the control circuit must be limited to Safety Extra Low Voltage circuits.
- Both the AC supply and the 24 V DC supply must be fused.
- The atmosphere must not contain flammable gases or vapors.
- There must not be abnormal levels of nuclear radiation or X-rays.
- To comply with CE directive 89/336/EEC an appropriate AC filter must be installed.
- The MicroFlex must be secured by the slots in the flange. The protective earth/ground (the threaded hole on the top of the MicroFlex) must be bonded to a safety earth/ground using either a 25 A conductor or a conductor of three times the peak current rating - whichever is the greater.
- The threaded holes in the top and bottom of the case are for cable clamps. The holes are threaded for M4 bolts no longer than 11 mm (0.43 in) in length.
- Each D-type connector on the front panel of the MicroFlex is secured using two hexagonal jack screws (sometimes known as "screwlocks"). If a jack screw is removed accidentally or lost it must be replaced with a jack screw with an external male threaded section no longer than 10 mm (0.4 in).

3.2.1 Dimensions

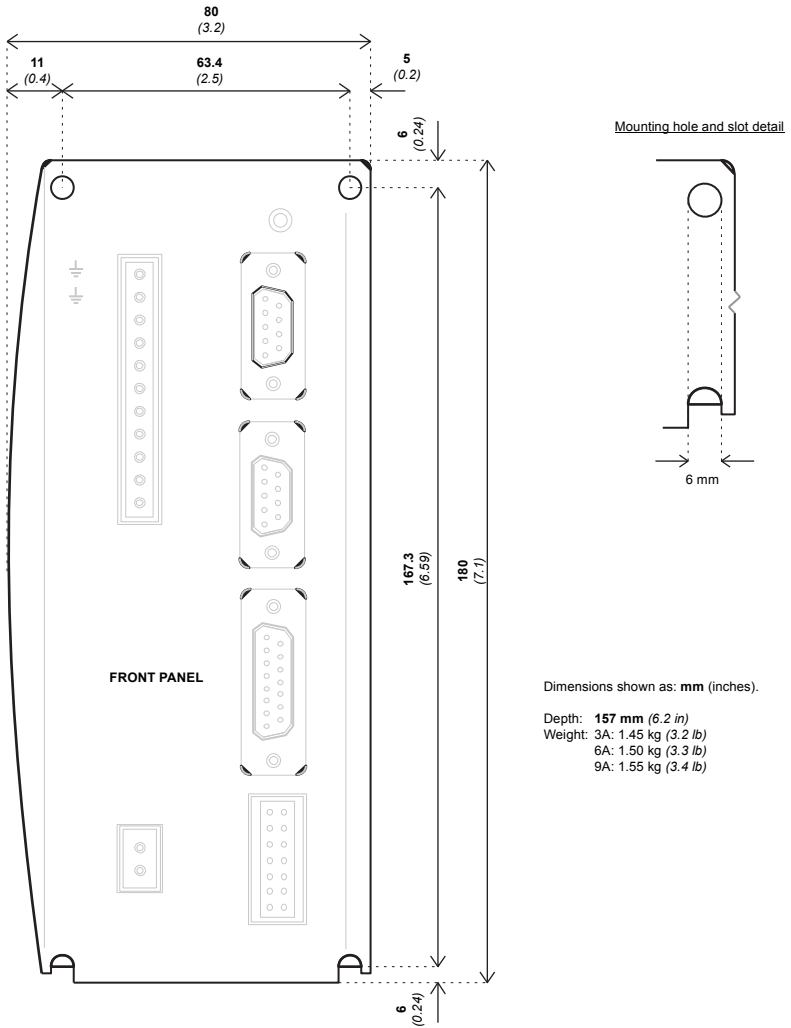


Figure 1: Package dimensions

3.2.2 Mounting and cooling the MicroFlex

Ensure you have read and understood the *Mechanical installation and location requirements* in section 3.2. Mount the MicroFlex vertically on its rear side, the side opposite the front panel. M5 bolts or screws should be used to mount the MicroFlex. Detailed dimensions are shown in section 3.2.1.

For effective cooling, the MicroFlex must be mounted upright on a smooth vertical metal surface. The MicroFlex is designed to operate in an ambient temperature of 0°C to 45°C (32°F to 113°F). Output current must be derated between 45°C (113°F) and the absolute maximum ambient temperature of 55°C (131°F). Within the ambient temperature range:

The 3 A model is designed to operate without any additional cooling methods.

The 6 A and 9 A models require a forced air flow, passing vertically from the bottom to the top of the MicroFlex case, to allow full rated current at 45°C (113°F).

Temperature derating characteristics are shown in sections 3.2.3 to 3.2.5.

Note: Failure to meet cooling air flow requirements will result in reduced product lifetime and/or drive overtemperature trips. It is recommended to check periodically the operation of the cooling equipment. Optional fan tray FAN001-024, mounted exactly as shown in section A.1.1, ensures that correct cooling is provided and allows the MicroFlex to be UL listed.

3.2.2.1 Effects of mounting surface and proximity

The proximity of the MicroFlex to other components could affect cooling efficiency. If the MicroFlex is mounted beside another MicroFlex (or other obstruction), there should be a minimum space of 15 mm to maintain effective cooling.

If the MicroFlex is mounted above or below another MicroFlex (or other obstruction), there should be a minimum space of 90 mm to maintain effective cooling. Remember that when a MicroFlex is mounted above another MicroFlex or heat source, it will be receiving air that has been already heated by the device(s) below it. Multiple MicroFlex units mounted above each other should be aligned, not offset, to promote air flow across the heatsinks.

The derating characteristics assume the MicroFlex is mounted on 3 mm thick (or less) metal plate. If the MicroFlex is mounted on 10 mm plate then the current characteristics shown in sections 1.2.4 to 1.2.6 may be increased by up to 7% if there is no forced air cooling, or 15% if forced air cooling is present.

It is recommended to allow approximately 60 mm at the front to accommodate wiring and connectors.

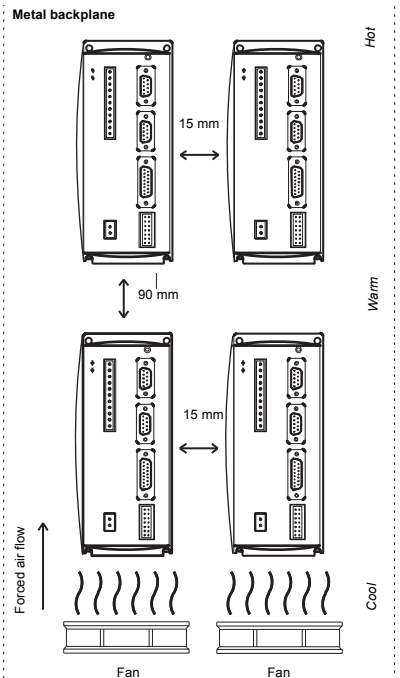
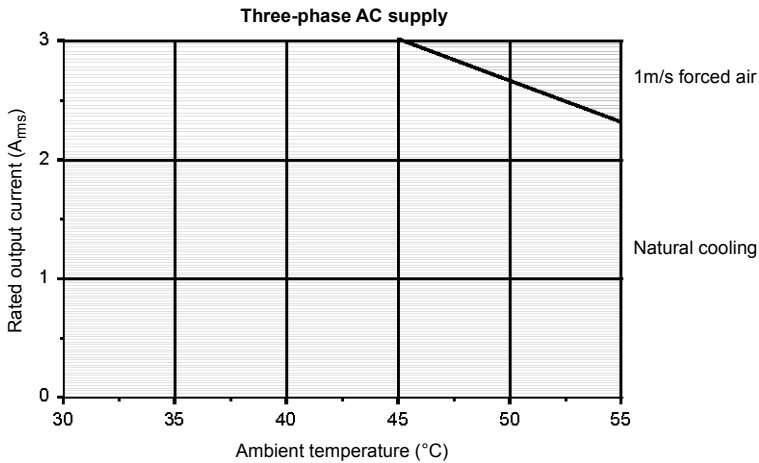
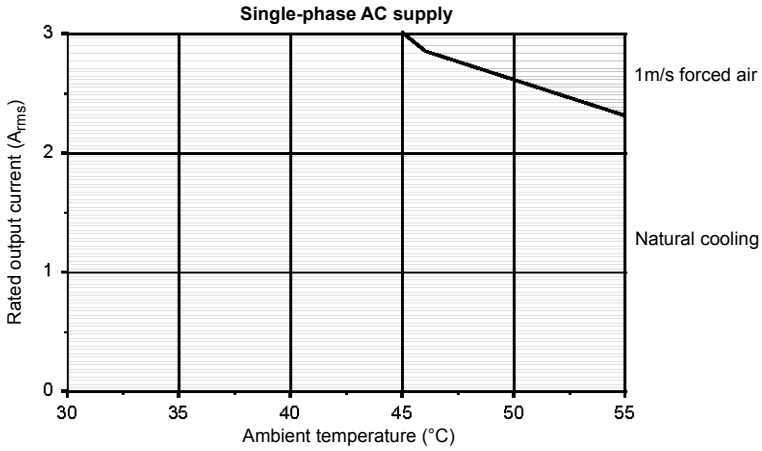


Figure 2: Cooling and proximity

3.2.3 Derating characteristic - 3 A model

The following derating characteristics are for model FMH2A03TR-EN23.



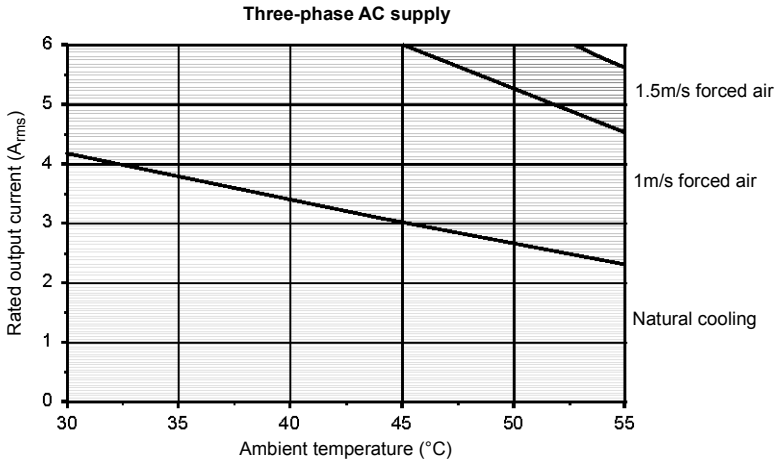
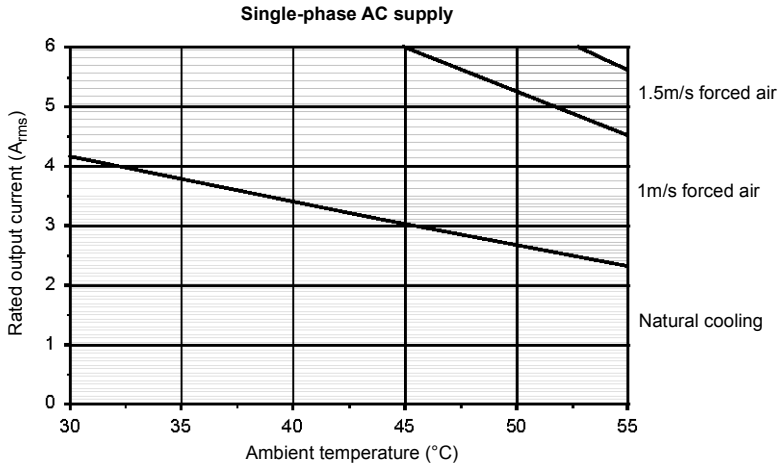
Notes:

Load power factor = 0.75

Overload limit for model FMH2A03TR-EN23 is 6 A

3.2.4 Derating characteristic - 6 A model

The following derating characteristics are for model FMH2A06TR-EN23.



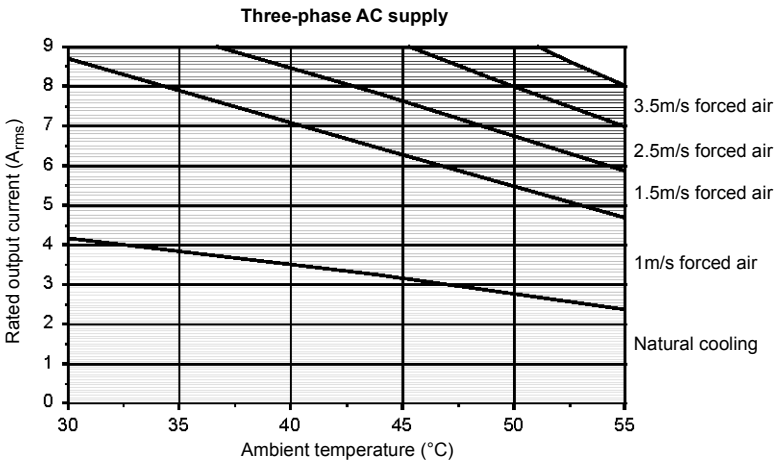
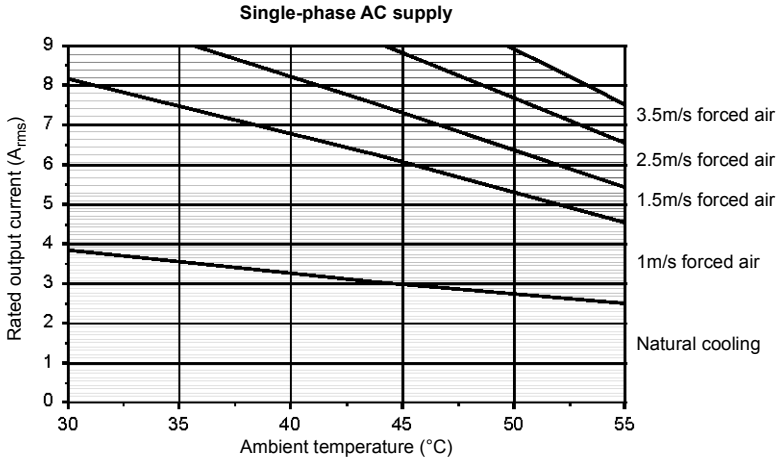
Notes:

Load power factor = 0.75

Overload limit for model FMH2A06TR-EN23 is 12 A

3.2.5 Derating characteristic - 9 A model

The following derating characteristics are for model FMH2A09TR-EN23.



Notes:
 Load power factor = 0.75
 Overload limit for model FMH2A09TR-EN23 is 18 A

3.2.6 Overtemperature trips

The MicroFlex contains internal temperature sensors that will cause it to trip and disable if the temperature exceeds 80°C on the 3 A model, or 75°C on the 6 A and 9 A models. This limit can be read using the `TEMPERATURELIMITFATAL` keyword - see the Mint help file for details.

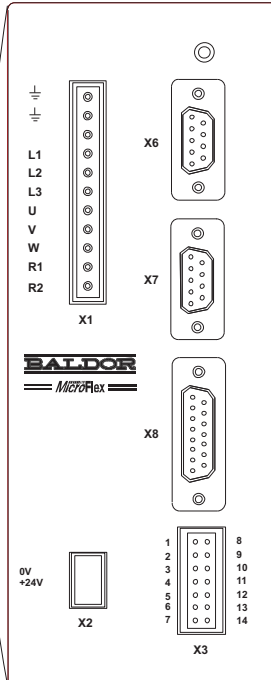
3.3 Connector locations

X1 Power

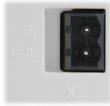


- Earth/Ground
- Earth/Ground (NC)
- L1 AC Phase 1 / L
- L2 AC Phase 2 / N
- L3 AC Phase 3
- U Motor U
- V Motor V
- W Motor W
- R1 Brake res.
- R2 Brake res.

Mating connector:
Sauro CVF100R5-ON001



X2 Control circuit



0V
+24V

Mating connector:
Sauro CVF020R5-ON

X3 Input / Output



- | | |
|-----------------|----------|
| 1 Shield | 8 Shield |
| 2 Status- | 9 Dir |
| 3 Status+ | 10 Step |
| 4 DIN0 | 11 DGND |
| 5 DIN0+ | 12 AIN0- |
| 6 Drive enable- | 13 AIN0+ |
| 7 Drive enable+ | 14 AGND |

Mating connector:
Weidmueller B2L 3.5/14

Tightening torque for terminal block connections is 0.5-0.6 N·m (4.4-5.3 lb-in). Maximum recommended cable size is 0.5 mm² (20 AWG).

(NC) = Not Connected. Do not make a connection to this pin.

X6 RS232



- | | |
|--------------------------|------------------|
| <u>RS232</u> | <u>RS485/422</u> |
| 1 (NC) | (NC) |
| 2 RXD | RX- |
| 3 TXD | TX- |
| 4 (NC) | (NC) |
| 5 0V GND | 0V GND |
| 6 (NC) | (NC) |
| 7 RTS | TX+ |
| 8 CTS | RX+ |
| 9 (NC - see section 5.4) | (NC) |

X7 Encoder Out



- 1 CHA+
- 2 CHB+
- 3 CHZ+
- 4 (NC)
- 5 DGND
- 6 CHA-
- 7 CHB-
- 8 CHZ-
- 9 (NC)

X8 Feedback In



- | | |
|--------------------|------------|
| <u>Incremental</u> | <u>SSI</u> |
| 1 CHA+ | Data+ |
| 2 CHB+ | Clock+ |
| 3 CHZ+ | (NC) |
| 4 Sense | Sense |
| 5 Hall U- | (NC) |
| 6 Hall U+ | (NC) |
| 7 Hall V- | (NC) |
| 8 Hall V+ | (NC) |
| 9 CHA- | Data- |
| 10 CHB- | Clock- |
| 11 CHZ- | (NC) |
| 12 +5V out | +5V out |
| 13 DGND | DGND |
| 14 Hall W- | (NC) |
| 15 Hall W+ | (NC) |

Resolver

- 1 REF+
- 2 COS+
- 3 SIN+
- 4 (NC)
- 5 AGND
- 6 REF-
- 7 COS-
- 8 SIN-
- 9 Chassis

Left LED: Fault / signal loss
Right LED: Unused

3.4 Power connections

This section provides instructions for connecting the AC power supply.

The installer of this equipment is responsible for complying with NEC (National Electric Code) guidelines or CE (Conformite Europeene) directives and application codes that govern wiring protection, earthing/grounding, disconnects and other current protection.



Electrical shock can cause serious or fatal injury. Do not touch any power device or electrical connection before you first ensure that power has been disconnected and there is no high voltage present from this equipment or other equipment to which it is connected.

MicroFlex drives are designed to be powered from standard single and three-phase lines that are electrically symmetrical with respect to earth/ground. The power supply module within all MicroFlex models provides rectification, smoothing and current surge protection. Fuses or circuit breakers are required in the input lines for cable protection.

Note: A Residual Current Device (RCD) must not be used for fusing the drive. An appropriate type of circuit breaker or fuse must be used.

All interconnection wires should be in metal conduits between the MicroFlex, AC power source, motor, motion controller and any operator interface stations. Use UL listed closed loop connectors that are of appropriate size for the wire gauge being used. Connectors are to be installed using only the crimp tool specified by the manufacturer of the connector.

3.4.1 Earthing / grounding

A permanent earth/ground bonding point is provided on the heatsink, which must be used as the protective earth. It is labelled with the protective earth symbol in the casting and does not form any other mechanical function.

Connector X1 contains earth terminals, but these must not be used as protective earth since the connector does not guarantee earth connection first, disconnection last. Earthing methods are shown in section 3.4.2.

Note: When using unearthed/ungrounded distribution systems, an isolation transformer with an earthed/grounded secondary is recommended. This provides three-phase AC power that is symmetrical with respect to earth/ground and can prevent equipment damage.

3.4.1.1 Protection class

User protection has been achieved using Protective Class I (EN61800-5-1, 3.2.20), which requires an earth connection to the unit whenever hazardous voltages are applied. The equipment provides protection against electric shock by:

- Means of connection of protective earth to accessible live conductive parts.
- Basic insulation.

3.4.1.2 Earth leakage

Maximum earth leakage from the MicroFlex is 3.4 mA per phase (230 V 50 Hz supply). This value does not include the earth leakage from the AC power filter, which could be much larger (see section A.1.3). If the MicroFlex and filter are mounted in a cabinet, the minimum size of the protective earthing conductor shall comply with the local safety regulations for high protective earthing conductor current equipment. The conductor must be 10 mm² (copper), 16 mm² (aluminium), or larger to satisfy EN61800-5-1.

3.4.2 Single-phase or three-phase power connections

Location	Connector X1
Nominal input voltage	115 V AC or 230 V AC, 1 Φ or 3 Φ line to line
Minimum input voltage	105 V AC, 1 Φ or 3 Φ line to line (see Note*)
Maximum input voltage	250 V AC, 1 Φ or 3 Φ line to line

Note: * The MicroFlex will operate at lower input voltages, although performance could be impaired. The drive will trip if the DC-bus voltage falls below 50 V or 60% of the no-load voltage, whichever occurs first.

For three phase supplies, connect supply to L1, L2 and L3 as shown in Figure 3. For single phase supplies, connect the supply between any two line inputs, for example L1 and L2.

For CE compliance, an AC filter must be connected between the AC power supply and the MicroFlex. If local codes do not specify different regulations, use at least the same gauge wire for earth/ground as is used for L1, L2 and L3.

Tightening torque for terminal block connections is 0.5-0.6 N·m (4.4-5.3 lb-in). The threaded hole in the top and bottom of the case may be used as an additional functional earth/ground connection for connector X3. They may also be used to attach shield or strain relief clamps. The holes are threaded for M4 bolts no longer than 11 mm (0.43 in) in length.

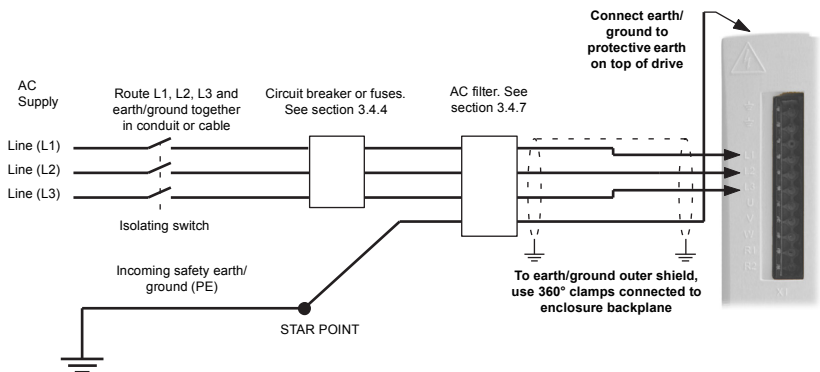


Figure 3: Single or three-phase power connections

3.4.3 Input power conditioning

Certain power line conditions must be avoided; an AC line reactor, an isolation transformer or a step up/step down transformer may be required for some power conditions:

- If the feeder or branch circuit that provides power to the MicroFlex has permanently connected power factor correction capacitors, a suitable input AC line reactor or an isolation transformer must be connected between the power factor correction capacitors and the MicroFlex to limit the maximum symmetrical short circuit current to 5000 A.
- If the feeder or branch circuit that provides power to the MicroFlex has power factor correction capacitors that are switched on line and off line, the capacitors must not be switched while the drive is connected to the AC power line. If the capacitors are switched on line while the drive is still connected to the AC power line, additional protection is required. A Transient Voltage Surge Suppressor (TVSS) of the proper rating must be installed between the AC line reactor (or isolation transformer) and the AC input to the MicroFlex.

3.4.3.1 Input power-cycling and inrush

If AC power has been removed from the MicroFlex, it should remain disconnected for the period specified in Table 1, before it is reapplied.

MicroFlex current rating	Minimum power cycle delay period (seconds)
3 A	25
6 A	45
9 A	65

Table 1: Power cycle intervals

This delay allows the input surge protection circuit to perform correctly, ensuring that the inrush current (typically 1.7 A) is below the drive rated current. Power-cycling the drive more frequently could cause high inrush current and corresponding nuisance operation of circuit breakers or fuses. Repeated failure to observe the delay period could reduce the lifetime of the MicroFlex.

3.4.3.2 Discharge period



After AC power has been removed from the MicroFlex, high voltages (greater than 50 V DC) will remain on the brake resistor connections until the DC-bus circuitry has discharged. The high voltage will remain for the period specified in Table 2.

MicroFlex current rating	Time for DC-bus to discharge to 50 V or less (maximum, seconds)
3 A	83
6 A	166
9 A	248

Table 2: DC-bus discharge periods

3.4.3.3 Supplying input power from a variac (variable transformer)

When AC power is supplied from a variac, the MicroFlex's pre-charge circuit may not operate correctly. To ensure that the pre-charge circuitry operates correctly, increase the variac voltage to the desired level and then power cycle the 24 V DC control circuit supply. This will restart the pre-charge circuit and allow it to operate correctly.

3.4.4 Power disconnect and protection devices

A power disconnect should be installed between the input power supply and the MicroFlex for a fail-safe method to disconnect power. The MicroFlex will remain in a powered condition until all input power is removed from the drive and the internal bus voltage has depleted.

The MicroFlex must have a suitable input power protection device installed, preferably a fuse. Recommended fuses are shown in section 3.4.5. Recommended circuit breakers are thermal magnetic devices (1 or 3 phase as required) with characteristics suitable for heavy inductive loads (C-type trip characteristic). Circuit breaker or fuses are not supplied. For CE compliance, see Appendix C. UL compliance can only be achieved when using the recommended fuses. The use of circuit breakers does not guarantee UL compliance and provides protection for the wiring only, not the MicroFlex.

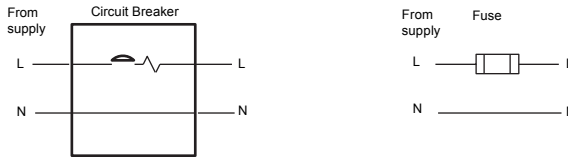


Figure 4: Circuit breaker and fuse, single-phase

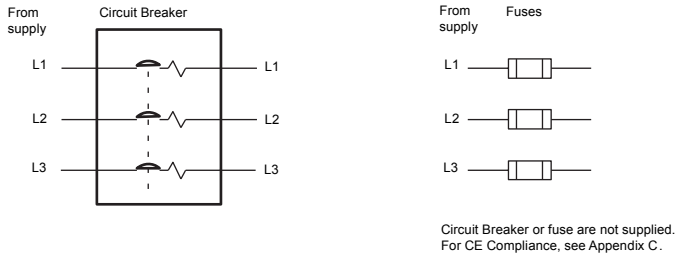


Figure 5: Circuit breaker and fuse, three-phase

Note: Metal conduit or shielded cable should be used. Connect conduits so the use of a line reactor or RC device does not interrupt EMI/RFI shielding.

3.4.4.1 Using 2 phases of a 3-phase supply

Power may be derived by connecting two phases of an appropriate three-phase supply (L1 and L2 for example). When supplying AC power in this way, the voltage between the two phases must not exceed the rated input voltage of the MicroFlex. A two pole breaker must be used to isolate both lines. Fuses must be fitted in both lines.

3.4.5 Recommended fuses and wire sizes

Table 3 describes the recommended fuses and suitable wires sizes to be used for power connections.

Catalog Number	Continuous Output Amps (RMS)	AC Supply Type	Input Fuse (A)	Minimum Wire Gauge	
				AWG	mm ²
FMH2A03...	3 A	1Φ	Ferraz Shawmut: 6x32 FA series, 10 A (W084314P) or BS88 2.5 URGS 10 A (N076648)	14	2.0
		3Φ	Ferraz Shawmut: 6x32 FA series, 8 A (V084313P) or BS88 2.5 URGS, 7 A (M076647)	14	2.0
FMH2A06...	6 A	1Φ	Ferraz Shawmut: 6x32 FA series, 20 A (A084318P) or BS88 2.5 URGS, 20 A (L097507)	14	2.0
		3Φ	Ferraz Shawmut: 6x32 FA series, 12.5 A (X084315P) or BS88 2.5 URGS, 12 A (P076649)	14	2.0
FMH2A09...	9 A	1Φ	Ferraz Shawmut: BS88 2.5 URGS, 25 A (R076651)	14	2.5
		3Φ	Ferraz Shawmut: 6x32 FA series, 20 A (A084318P) or BS88 2.5 URGS, 20 A (L097507)	14	2.0

Table 3: Protection device and wire ratings

Note: All wire sizes are based on 75°C (167°F) copper wire. Higher temperature smaller gauge wire may be used per National Electric Code (NEC) and local codes. Recommended fuses are based on 25°C (77°F) ambient, maximum continuous control output current and no harmonic current. Earth/ground wires must be the same gauge, or larger, than the Line wires.

3.4.6 Drive overload protection

The MicroFlex will immediately trip and disable if there is an overload condition. The parameters for managing drive overloads are configured automatically by the Commissioning Wizard (see section 6.2.3). If they need to be changed, use the Parameters tool in Mint WorkBench (see section 6.3.2).

3.4.7 Power supply filters

To comply with EEC directive 89/336/EEC, an AC power filter of the appropriate type must be connected. This will ensure that the MicroFlex complies with the CE specifications for which it has been tested. Ideally, one filter should be provided for each MicroFlex; filters should not be shared between drives or other equipment. Table 4 lists the appropriate filters:

MicroFlex current rating	Input voltages	
	230 V AC, 1 Φ	230 V AC, 3 Φ
3 A	FI0015A00 + line reactor See sections 3.4.7.1 and 3.4.7.2. <i>or</i> FI0029A00 (see section A.1.2).	FI0018A00
6 A	FI0015A02 (see section 3.4.7.2) <i>or</i> FI0029A00 (see section A.1.2).	FI0018A00
9 A	FI0029A00 (see section A.1.2).	FI0018A03

Table 4: Filter part numbers

Maximum earth leakage from the MicroFlex is 3.4 mA per phase (230 V 50 Hz supply). This value does not include the earth leakage from the AC power filter, which could be much larger (see section A.1.3).

3.4.7.1 Harmonic suppression

When operating the 3 A MicroFlex (part FMH2A03...) on a single-phase AC supply, a 13 mH 4 A_{rms} (10 A peak) line reactor is required to ensure compliance with EN61000-3-2:2000 class A limits, when the total equipment supply load is less than 1 kW.

3.4.7.2 Reversing the filter

When using filters FI0015A00 or FI0015A02 as specified in Table 4, they must be reversed to ensure that the MicroFlex complies with the CE specifications for which it has been tested. The AC power supply should be connected to the filter terminals marked as the outputs, with the MicroFlex connected to the filter terminals marked as the inputs.



This recommendation applies only to filters FI0015A00 and FI0015A02. Alternative filters or protection devices must be connected as specified by the manufacturer.

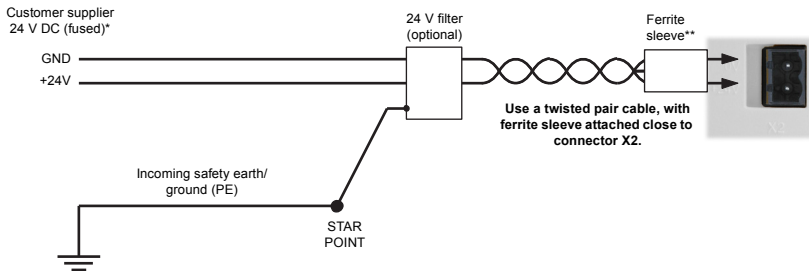
3.4.8 24 V control circuit supply

A 24 V DC supply must be provided to power the controlling electronics. This is useful for safety reasons where AC power needs to be removed from the power stage but the controlling electronics must remain powered to retain position and I/O information.

A separate fused 24 V supply should be provided for the MicroFlex. If other devices are likely to be powered from the same 24 V supply, a filter (part FI0014A00) should be installed to isolate the MicroFlex from the rest of the system. Alternatively, a ferrite sleeve may be attached to the supply cable near connector X2.

Location	Connector X2
Nominal input voltage	24 V
Range	20-30 V DC
Input current Maximum Typical	1 A continuous (4 A typical power on surge, limited by NTC) 0.5 A - 0.6 A (no encoder power) 0.6 A - 0.8 A (if powering encoder)

Tightening torque for terminal block connections is 0.5-0.6 N·m (4.4-5.3 lb-in).



* Recommended fuse: Bussman S504 20x5mm anti-surge 2 A

** Recommended ferrite sleeve: Fair-Rite part 0431164281 or similar

Figure 6: 24 V control circuit supply connections

3.5 Motor connections

MicroFlex will operate with a large number of brushless servo motors. For information on selecting Baldor servo motors please see the sales brochure BR1202, available from your local representative. The motor must be capable of being powered by an inverter PWM output - see section 8.1.3 for details. The motor can be connected directly to the MicroFlex or through a motor contactor (M-Contactor). The drive trips on a motor phase short circuit and will not restart unless AC power is removed. Remove all power from the drive, correct the short circuit and restart the drive. The motor outputs are conditionally short-circuit proof. Motors should ideally have a minimum inductance of 1 mH per winding; for motors with lower inductance an output reactor may be fitted in series with the motor.

When using a Baldor motor, the parameters for managing motor overloads are configured automatically by the Commissioning Wizard (see section 6.2.3). If they need to be changed, or you are using an alternative motor, use the Parameters tool in Mint WorkBench (see section 6.3.2).

Location	Connector X1		
AC supply voltage	115 V AC, 1Φ	230 V AC, 1Φ	230 V AC, 3Φ
Output voltage range	0-115 V AC, 3Φ	0-230 V AC, 3Φ	0-230 V AC, 3Φ

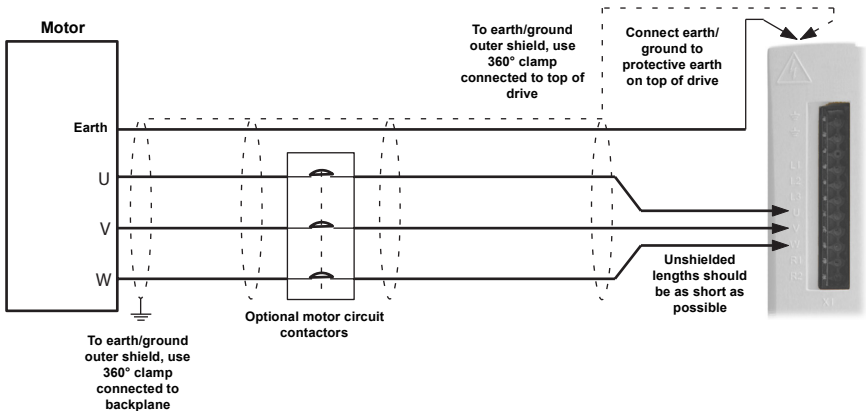


Figure 7: Motor connections



Do not connect supply power to the MicroFlex UVW outputs. The MicroFlex might be damaged. The motor leads U, V and W must be connected to their corresponding U, V or W terminal on the motor. Misconnection will result in uncontrolled motor movement.

The motor power cable must be shielded for CE compliance. The connector or gland used at the motor must provide 360 degree shielding. The maximum recommended cable length is 30.5m (100ft).

Note: For CE compliance the motor earth/ground should be connected to the drive earth/ground.

3.5.1 Motor circuit contactors

If required by local codes or for safety reasons, an M-Contactor (motor circuit contactor) may be installed to provide a physical disconnection of the motor windings from the MicroFlex (see section 3.5). Opening the M-Contactor ensures that the MicroFlex cannot drive the motor, which may be necessary during equipment maintenance or similar operations. Under certain circumstances, it may also be necessary to fit a brake to a rotary motor. This is important with hanging loads where disconnecting the motor windings could result in the load falling. Contact your local supplier for details of appropriate brakes.



If an M-Contactor is installed, the MicroFlex must be disabled at least 20ms before the M-Contactor is opened. If the M-Contactor is opened while the MicroFlex is supplying voltage and current to the motor, the MicroFlex may be damaged. Incorrect installation or failure of the M-Contactor or its wiring may result in damage to the MicroFlex.

Ensure that shielding of the motor cable is continued on both sides of the contactor.

3.5.2 Sinusoidal filter

A sinusoidal filter is used to provide a better quality waveform to the motor, reducing motor noise, temperature and mechanical stress. It will reduce or eliminate harmful dV/dt values (voltage rise over time) and voltage doubling effects which can damage motor insulation. This effect occurs most noticeably when using very long motor cables, for example 30m (100 ft) or more. Baldor motors intended to be used with drives are designed to withstand the effects of large dV/dt and overvoltage effects. However, if very long motor cables are unavoidable and are causing problems, then a sinusoidal filter may be beneficial.

3.6 Brake resistor

An optional external brake resistor may be required to dissipate excess power from the internal DC bus during motor deceleration. The brake resistor must have a resistance of at least 39Ω, and an inductance of less than 100 μH. Care should be taken to select the correct resistor for the application - see section 3.7. Suitable brake resistors are listed in section A.1.4. The brake resistor output is conditionally short-circuit proof.

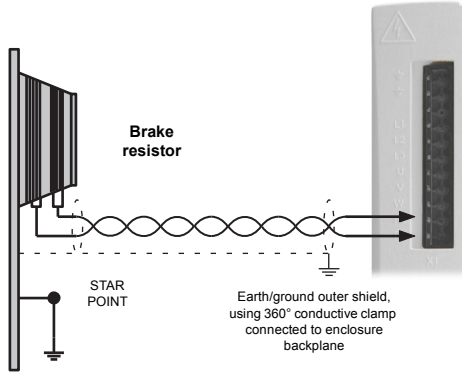


Figure 8: Brake resistor connections



Electrical shock hazard. DC bus voltages may be present at these terminals. A brake resistor may generate enough heat to ignite combustible materials. To avoid fire hazard, keep all combustible materials and flammable vapors away from the resistor.

3.6.1 Braking capacity

The braking capacity of the MicroFlex can be calculated from the following formula:

$$E = 0.5 \times DC \text{ bus capacitance} \times \left((Brake \text{ switching threshold})^2 - (\sqrt{2} \times Supply \text{ voltage})^2 \right)$$

where the *Brake switching threshold* is 388 V. This gives the following typical values:

MicroFlex catalog number	DC bus capacitance (μF)	Braking capacity (J)	
		115 V AC supply	230 V AC supply
FMH2A01/3...	560	34.7	12.5
FMH2A06...	1120	69.4	25
FMH2A09...	1680	104.2	37.6

Table 5: Braking capacity

3.7 Brake resistor selection

The following calculations can be used to estimate the type of brake resistor that will be required for the application.

3.7.1 Required information

To complete the calculation, some basic information is required. Remember to use the worst-case scenario to ensure that the braking power is not underestimated. For example, use the maximum possible motor speed, maximum inertia, minimum deceleration time and minimum cycle time that the application might encounter.

Requirement	Enter value here
a) Initial motor speed, before deceleration begins, in radians per second. <i>Multiply RPM by 0.1047 to give radians per second.</i>	Initial motor speed, U = _____ rad/s
b) Final motor speed after deceleration is complete, in radians per second. <i>Multiply RPM by 0.1047 to get radians per second. This value will be zero if the load is going to be stopped.</i>	Final motor speed, V = _____ rad/s
c) The deceleration time from initial speed to final speed, in seconds.	Decel time, D = _____ s
d) The total cycle time (i.e. how frequently the process is repeated), in seconds.	Cycle time, C = _____ s
e) Total inertia. <i>This is the total inertia seen by the drive, accounting for motor inertia, load inertia and gearing. Use the Mint WorkBench Autotune tool to tune the motor, with the load attached, to determine the value. This will be displayed in kg·m² in the Autotune tool. If you already know the motor inertia (from the motor spec.) and the load inertia (by calculation) insert the total here.</i> <i>Multiply kg·cm² by 0.0001 to give kg·m².</i> <i>Multiply lb-ft² by 0.04214 to give kg·m².</i> <i>Multiply lb-in-s² by 0.113 to give kg·m².</i>	Total inertia, J = _____ kg·m ²

3.7.2 Braking energy

The braking energy to be dissipated, E, is the difference between the initial energy in the system (before deceleration begins) and the final energy in the system (after deceleration has finished). If the system is brought to rest then the final energy is zero.

The energy of a rotating object is given by the formula:

$$E = \frac{1}{2} \times J \times \omega^2$$

where E is energy, J is the moment of inertia, and ω is the angular velocity.

The braking energy, which is the difference between the initial energy and the final energy, is therefore:

$$\begin{aligned} E &= \left(\frac{1}{2} \times J \times U^2\right) - \left(\frac{1}{2} \times J \times V^2\right) \\ &= \frac{1}{2} \times J \times (U^2 - V^2) \\ &= \text{_____ J (joules)} \end{aligned}$$

Calculate E using the values for J, U and V entered in section 3.7.1. If E is less than the drive's braking capacity, shown in Table 5 on page 3-19, a brake resistor will not be required. If E is greater than the drive's braking capacity, then continue to section 3.7.3 to calculate the braking and average power dissipation.

3.7.3 Braking power and average power

The braking power, P_r , is the *rate* at which the braking energy is dissipated. This rate is defined by the deceleration period, D. The shorter the deceleration period, the greater the braking power.

$$\begin{aligned} P_r &= \frac{E}{D} \\ &= \text{_____ W (watts)} \end{aligned}$$

Although the resistors shown in Table 6 can withstand brief overloads, the average power dissipation, P_{av} , must not exceed the stated power rating. The average power dissipation is determined by the proportion of the application cycle time spent braking. The greater the proportion of time spent braking, the greater the average power dissipation.

$$\begin{aligned} P_{av} &= P_r \times \frac{D}{C} \\ &= \text{_____ W (watts)} \end{aligned}$$

3.7.4 Resistor choice

P_{av} is the value to use when assessing which brake resistor to use. However, a safety margin of 1.25 times is recommended to ensure the resistor operates well within its limits, so:

Required resistor power rating = $1.25 \times P_{av}$

= _____ **W (watts)**

The range of suitable brake resistors is shown in Table 6. Choose the resistor that has a power rating equal to or greater than the value calculated above.

Resistor part	Resistance	Power rating
RGJ139	39 Ω	100 W
RGJ160	60 Ω	100 W
RGJ260	60 Ω	200 W
RGJ360	60 Ω	300 W

Table 6: Brake resistors



The brake resistance must be 39 Ω or greater to ensure the drive's maximum regeneration switching current (10 A) is not exceeded. Failure to observe the minimum resistance could result in damage to the drive.

Dimensions are shown in section A.1.4.

* The brake resistors listed in Table 6 can withstand a brief overload of 10 times the rated power for 5 seconds. Please contact ABB if larger power ratings are required.

3.7.5 Resistor derating

The brake resistors shown in Table 6 can achieve their stated power rating only when mounted on a heatsink. In free air a derating must be applied. Furthermore, in ambient temperatures greater than 25 °C (77 °F), a temperature derating must be applied.

Resistor part	Nominal power rating (W)	In free air	On heatsink
RGJ139 RGJ160	100	Derate power linearly from: 80% @ 25 °C (77 °F) to 70% @ 55 °C (113 °F)	Derate power linearly from: 100% @ 25 °C (77 °F) to 88% @ 55 °C (113 °F) Typical heatsink: 200 mm x 200 mm x 3 mm
RGJ260	200	Derate power linearly from: 70% @ 25 °C (77 °F) to 62% @ 55 °C (113 °F)	Derate power linearly from: 100% @ 25 °C (77 °F) to 88% @ 55 °C (113 °F) Typical heatsink: 400 mm x 400 mm x 3 mm
RGJ360	300		

Table 7: Brake resistor derating

4.1 Introduction

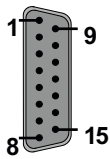
Three feedback options are available for use with linear and rotary motors; incremental encoder, encoder with SSI (Synchronous Serial Interface), or resolver. There are some important considerations when wiring the feedback device:

- The feedback device wiring must be separated from power wiring.
- Where feedback device wiring runs parallel to power cables, they must be separated by at least 76 mm (3 in)
- Feedback device wiring must cross power wires at right angles only.
- To prevent contact with other conductors or earths/grounds, unearthed/ungrounded ends of shields must be insulated.
- Linear motors use two separate cables (encoder and Hall). The cores of these two cables will need to be wired to the appropriate pins of the 15-pin D-type mating connector.

An encoder output signal is available on connector X7 for supplying other equipment.

4.1.1 Encoder feedback - X8

The encoder connections (ABZ channels and Hall signals) are made using the 15-pin D-type female connector X8. Twisted pair cables must be used for the complementary signal pairs e.g. CHA+ and CHA-. The Hall inputs may be used as differential inputs (recommended for improved noise immunity) or single ended inputs. When used as single ended inputs, leave the Hall U-, Hall V- and Hall W- pins unconnected. The overall cable shield (screen) must be connected to the metallic shell of the D-type connector. Connector X8 includes a 'Sense' pin, which is used to detect the voltage drop on long cable runs. This allows the MicroFlex to increase the encoder supply voltage on pin 12 to maintain a 5 V supply at the encoder.



Location	Connector X8 15-pin D-type female connector (not high density)
Pin	Encoder function
1	CHA+
2	CHB+
3	CHZ+
4	Sense
5	Hall U-
6	Hall U+
7	Hall V-
8	Hall V+
9	CHA-
10	CHB-
11	CHZ-
12	+5 V out
13	DGND
14	Hall W-
15	Hall W+
Description	Incremental (UVW) encoder input, non-isolated. Pin 12 provides 5-11 V for encoders requiring power (200 mA max)

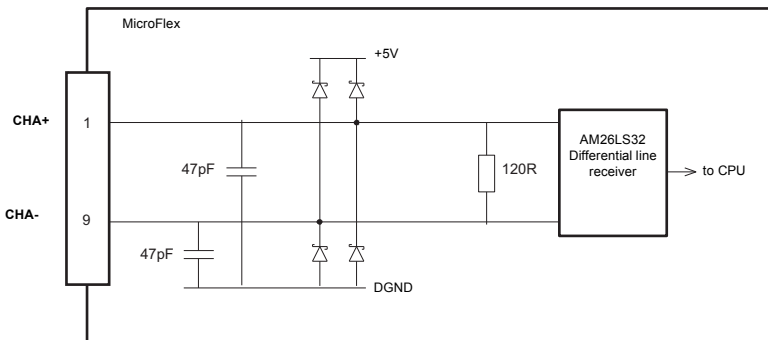


Figure 9: Encoder channel input circuit - Channel A shown

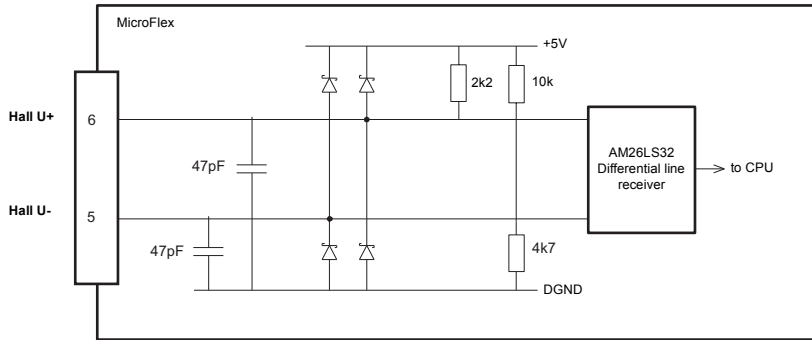


Figure 10: Hall channel input circuit - U phase shown

4.1.1.1 Encoder cable configuration - Baldor rotary motors

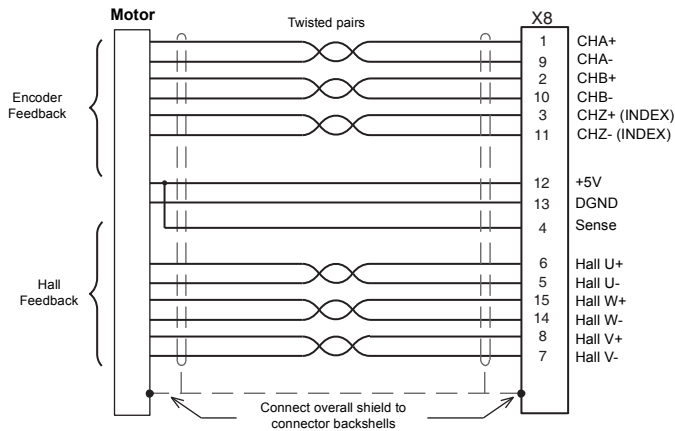


Figure 11: Encoder cable connections - rotary motors

Note: If the Hall inputs are used as single ended inputs, leave the Hall U-, Hall V- and Hall W- pins unconnected; do not connect them to ground.

4.1.1.2 Encoders without Halls

Incremental encoders without Hall feedback connections may be connected to the MicroFlex. However, if Hall connections are not present, it will be necessary for the MicroFlex to perform an automatic phase search sequence each time it is powered. This will cause motor movement of up to 1 turn on rotary motors, or one pole-pitch on linear motors.

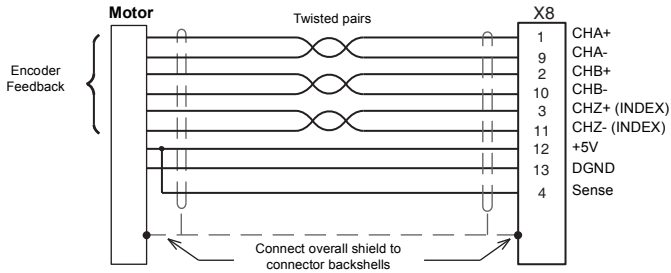


Figure 12: Encoder cable connections without halls - rotary motors

4.1.1.3 Halls-only feedback devices

Feedback devices using only Hall sensors may be connected to the MicroFlex. However, since there are no encoder connections, the MicroFlex will not be able to perform speed control or positioning control.

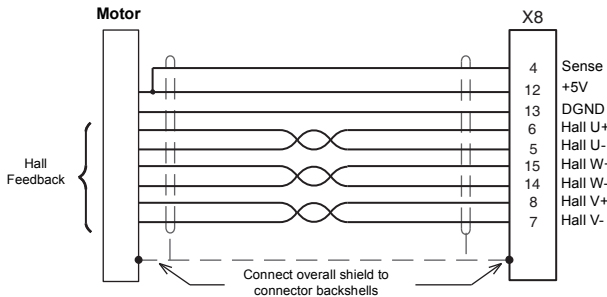


Figure 13: Halls-only feedback cable connections - rotary motors

Note: If the Hall inputs are used as single ended inputs, leave the Hall U-, Hall V- and Hall W- pins unconnected; do not connect them to ground.

4.1.1.4 Encoder cable pin configuration - Baldor linear motors

Baldor linear motors use two separate cables (encoder and Hall). The cores of these two cables must be wired to the appropriate pins of the 15-pin D-type mating connector (supplied):

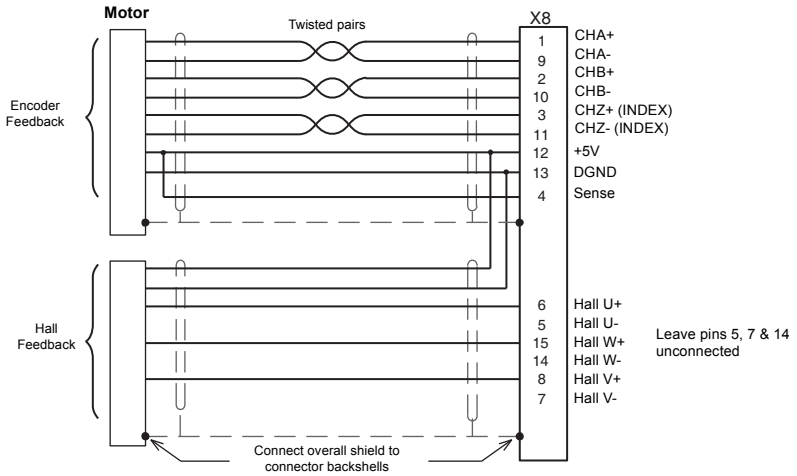



Figure 14: Encoder cable connections - linear motors

4.1.2 SSI feedback - X8

The SSI (Synchronous Serial Interface) encoder interface is specifically designed for use with Baldor SSI motors, which incorporate a custom Baumer SSI encoder. Correct operation with other SSI interfaces cannot be guaranteed. The SSI encoder connections are made using the 15-pin D-type female connector X8. Twisted pair cables must be used for the complementary signal pairs e.g. Data+ and Data-. The overall cable shield (screen) must be connected to the metallic shell of the D-type connector. Connector X8 includes a 'Sense' pin, which is used to detect the voltage drop on long cable runs. This allows the MicroFlex to increase the encoder supply voltage on pin 12 to maintain a 5 V supply at the encoder.



Location	Connector X8, 15-pin D-type female connector
Pin	Encoder function
1	Data+
2	Clock+
3	(NC)
4	Sense
5	(NC)
6	(NC)
7	(NC)
8	(NC)
9	Data-
10	Clock-
11	(NC)
12	5-11V out
13	DGND
14	(NC)
15	(NC)
Description	SSI encoder input, non-isolated. Pin 12 provides power to the encoder (200 mA max).

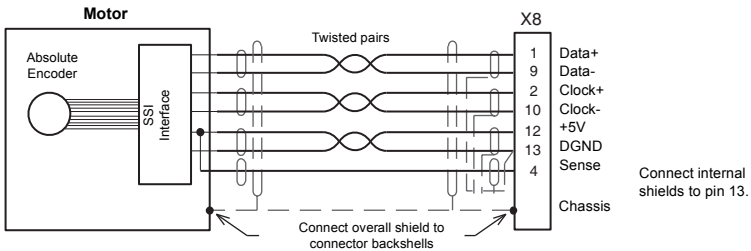


Figure 15: SSI encoder cable connections

The maximum recommended cable length is 30.5 m (100 ft).

4.1.3 Resolver feedback - X8

The resolver connections are made using the 9-pin D-type male connector X8. Twisted pair cables must be used for the complementary signal pairs e.g. SIN+ and SIN-. The overall cable shield (screen) must be connected to the metallic shell of the D-type connector. The resolver input is used to create an encoder signal inside the MicroFlex. This provides the MicroFlex with an equivalent resolution of 4096 pulses per revolution (ppr), although this can be reconfigured in the Mint WorkBench Commissioning Wizard to provide 1024 ppr. The MicroFlex provides an input accuracy of ± 3 counts. When used with a typical Baldor BSM series resolver motor the combined accuracy is ± 11 counts (calculated with the input equivalent resolution set to the factory preset value of 4096 ppr). The left LED illuminates red if there is a fault or loss of the resolver signal; the right LED is unused.



Location	Connector X7
Pin	Name
1	REF+
2	COS+ (S1)
3	SIN+ (S2)
4	(NC)
5	AGND
6	REF-
7	COS- (S3)
8	SIN- (S4)
9	Chassis
Description	Resolver input on a 9-pin male D-type connector

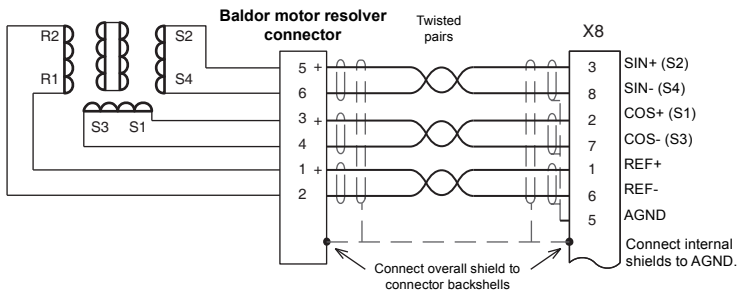
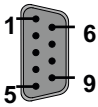


Figure 16: Resolver cable connections

The maximum recommended cable length is 30.5 m (100 ft).

4.1.4 Encoder output - X7



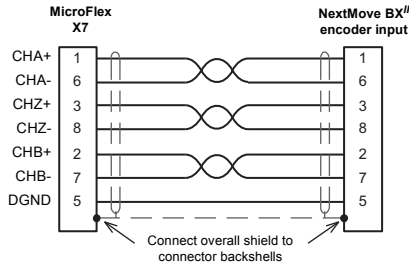
Location	Connector X7
Pin	Name
1	CHA+
2	CHB+
3	CHZ+
4	(NC)
5	DGND
6	CHA-
7	CHB-
8	CHZ-
9	(NC)
Description	Encoder output on a 9-pin female D-type connector

This output can be used for position feedback to a motion controller. It is recommended that this output only drives one output circuit load. The encoder outputs are differential and conform to the RS422 electrical specification. Shielded twisted pair cable is recommended.

If the MicroFlex is configured for incremental encoder feedback, X7 duplicates the encoder signals entering X8. If operating in Halls-only mode, there will be no encoder output at X7.

If the MicroFlex is configured for SSI feedback, a simulated encoder output is produced at X7. The default simulated encoder output resolution is 16384 counts per revolution, but this can be altered using the Drive Setup Wizard in Mint WorkBench. At 62.5 microsecond intervals (a 16 kHz sampling rate), the simulated encoder output generates a burst of A and B pulses (and a Z pulse if required). The frequency and length of the burst is varied to represent the change in the input encoder's position during the preceding 62.5 microsecond interval. See the keyword `ENCODERLINESOUT` in the Mint help file.

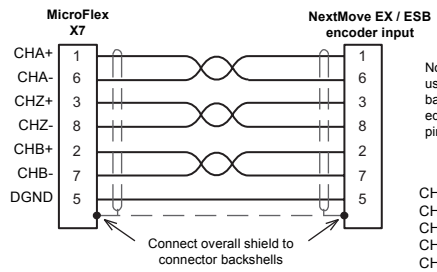
If the MicroFlex has resolver feedback, a simulated encoder output is produced at X7. If the resolver input has been configured to simulate an encoder input of 1024 pulses per revolution (ppr), the output at X7 can be set to either 512 or 1024 ppr. If the resolver input has been configured to simulate an encoder input of 4096 ppr, output modes of 512, 1024, 2048 and 4096 ppr are possible. Note that these values represent actual encoder lines, not quadrature counts. The simulated encoder output is in the same direction as the resolver input. See the keyword `ENCODERLINESOUT` in the Mint help file.



Cable parts CBL0xxMF-E3B are recommended (where xx represents a choice of available lengths).

Figure 17: MicroFlex encoder output to NextMoveBX^{II} encoder input

Cable parts CBL0xxMF-E3B are recommended (where xx represents a choice of available lengths).



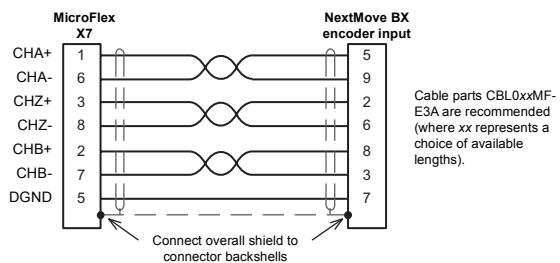
Note: If NextMove ES is not being used in conjunction with a Baldor backplane (part BPL010-50x), the equivalent inputs on the card's 96-pin edge connector are as follows:

	Enc0	Enc1
CHA+	b7	a8
CHA-	b10	c9
CHB+	a7	c7
CHB-	c10	a10
CHZ+	b8	c8
CHZ-	b9	a9
DGND	a3	a3 (or b3/c3)

Figure 18: MicroFlex encoder output to NextMove ES / ESB encoder input



If a NextMove BX is to be connected, a different cable must be used, as shown in Figure 23:



Cable parts CBL0xxMF-E3A are recommended (where xx represents a choice of available lengths).

Figure 19: MicroFlex encoder output to NextMove BX encoder input

5.1 Introduction

This section describes the various digital and analog input and output capabilities of the MicroFlex, with descriptions of each of the connectors on the front panel.

The following conventions are used to refer to the inputs and outputs:

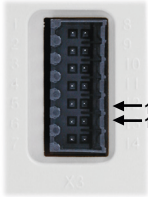
- I/O Input / Output
- DIN Digital Input
- DOUT Digital Output
- AIN Analog Input

5.2 Analog I/O

The MicroFlex provides as standard:

- 1 analog input on the connector block X3 (demand input)

5.2.1 Analog input - X3 (demand)



Location	Connector X3, pins 12 & 13
Name	AIN0
Description	Single ended or differential input. Common mode voltage range: ± 10 V DC. Resolution: 12-bit (accuracy ± 4.9 mV) Common mode rejection: 40 dB Input impedance: >30 k Ω Sampling interval: 125 μ s

The analog input can be connected as either a differential or a single ended input as shown in Figure 25. The analog input is not optically isolated from internal power rails, so care must be taken to avoid earth/ground loops and similar associated problems. The input buffers provide low pass filtering of the applied voltage. To minimize the effects of noise, the analog input signal should be connected to the system using an individually shielded twisted pair cable with an overall shield. The overall shield should be connected to the chassis at one end only. No other connection should be made to the shield.

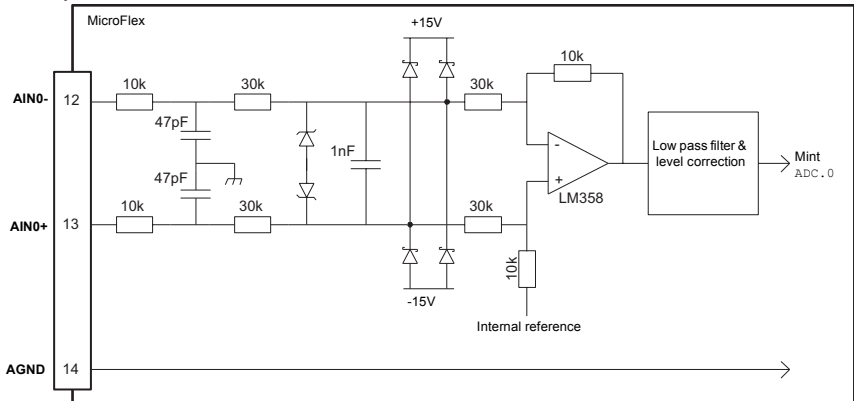


Figure 20: AIN0 analog input (demand) circuit

When the MicroFlex is connected to Mint WorkBench, the analog input value (expressed as a percentage) can be viewed using the Spy window's Monitor tab. Alternatively, the command `Print ADC.0` can be used in the command window to return the value of the analog input. See the Mint help file for details.

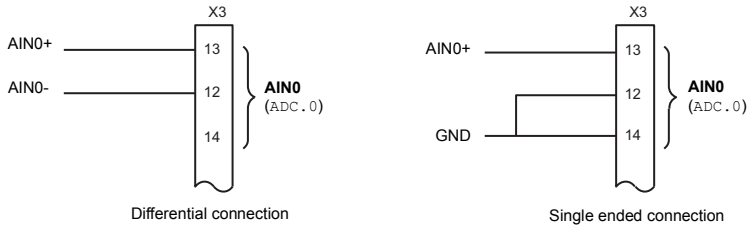


Figure 21: AIN0 analog input wiring

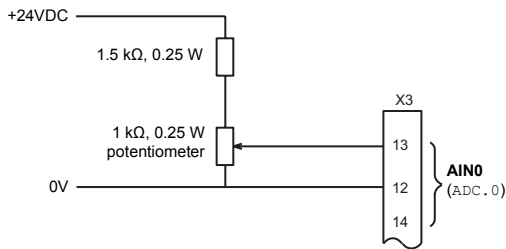


Figure 22: Typical input circuit to provide 0-10 V (approx.) input from a 24 V source

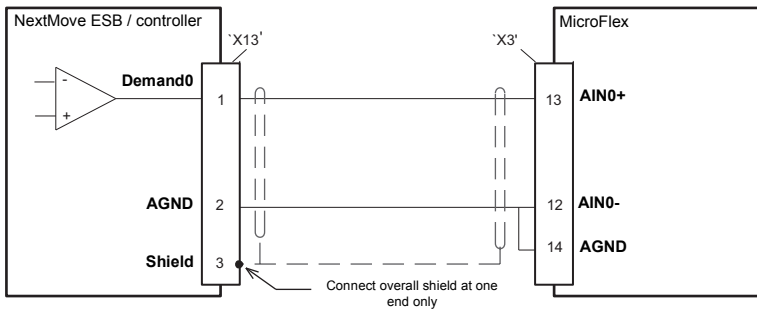


Figure 23: Analog input - typical connection from a NextMove ESB

5.3 Digital I/O

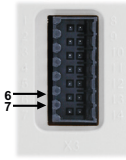
The MicroFlex provides as standard:

- 1 dedicated drive enable input.
- 1 general purpose digital input.
- Dedicated step and direction inputs.
- 1 dedicated drive status output.

The general purpose digital input can be configured for typical input functions:

- Error input
- Reset input
- Stop input.

5.3.1 Drive enable input - X3



Location	Connector X3, pins 6 & 7
Name	Drive enable
Description	Dedicated drive enable input. Nominal input voltage: +24 V DC (input current not to exceed 50 mA)

The drive enable input is buffered by a TLP280 opto-isolator, allowing the input signal to be connected with either polarity.

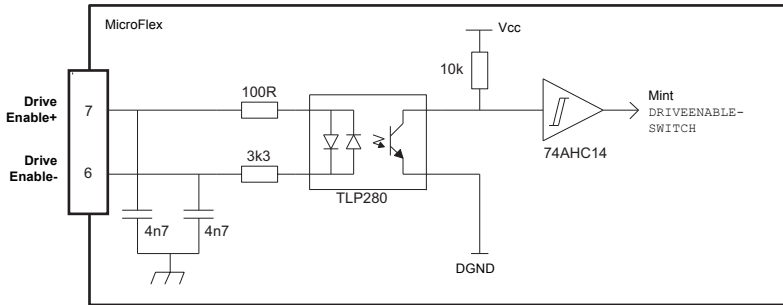



Figure 24: Drive enable input circuit

In normal use, the drive enable input controls the enabled status of the drive. However, when the MicroFlex is connected to Mint WorkBench, additional methods are available for controlling the drive enable status. In all cases, the drive enable input must be active and there must be no errors present before the MicroFlex can be enabled.

- The drive enable button  on the motion toolbar toggles the enable/disable status. Alternatively, the Mint command `DRIVEENABLE.0=1` can be used in the command window to enable the MicroFlex; `DRIVEENABLE.0=0` will disable the MicroFlex.
- The Tools, Reset Controller menu item will clear errors and enable the MicroFlex. Alternatively, the Mint command `RESET.0` can be used in the command window to perform the same action.

The state of the drive enable input is displayed in the Mint WorkBench Spy window. Alternatively, the state of the drive enable input can be read (but not set) using the Mint command `Print DRIVEENABLESWITCH` in the command window. See the Mint help file for details.

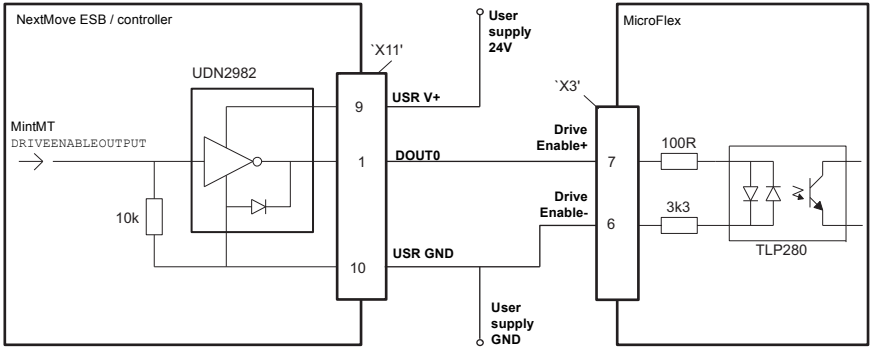
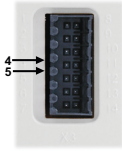


Figure 25: Drive enable input - typical connection from a NextMove ESB

5.3.2 General purpose digital input - X3



Location	Connector X3, pins 4 & 5
Name	DINO
Description	General purpose optically isolated digital input. Nominal input voltage: +24 V DC (input current not to exceed 50 mA) Sampling interval: 500 µs

The general purpose digital input is buffered by a TLP280 opto-isolator, allowing the input signal to be connected with either polarity. The state of the digital input is displayed in the Mint WorkBench Spy window. The input can be configured for different user definable functions.

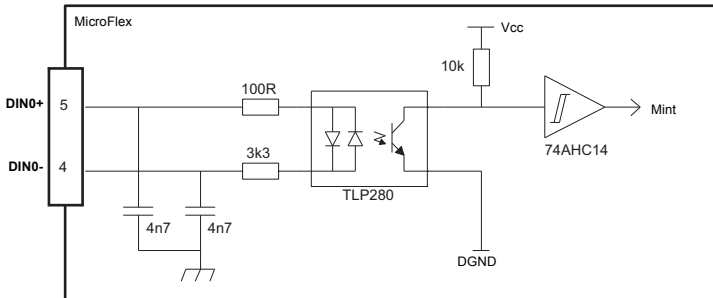


Figure 26: General purpose digital input circuit

When the MicroFlex is connected to Mint WorkBench, the digital input can be configured using the Operating Mode Wizard. Alternatively, the Mint keywords `RESETINPUT`, `ERRORINPUT` and `STOPINPUT` can be used in the command window. See the Mint help file for details.

The state of the digital input can be viewed using the Spy window's Axis tab.

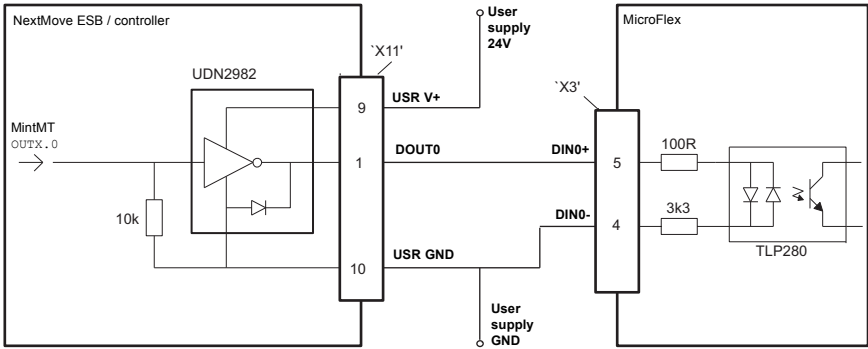
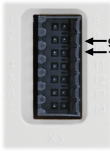


Figure 27: Digital input - typical connection from a NextMove ESB

5.3.3 Step (pulse) and direction inputs - X3



Location	Connector X3, pins 9 & 10
Names	Step and Dir
Description	Dedicated step and direction inputs. Input voltage: +5 V DC maximum Maximum input frequency: 1 MHz maximum

When the MicroFlex control mode is set to position control, the step and direction inputs are used as the demand reference.

Pin 10 is the step input. The step frequency controls the speed of the motor.

Pin 9 is the direction input. The state of the direction input controls the direction of motion. If +5 V is present on pin 9, movement will be in the forward direction. If pin 9 is grounded, movement will be in the opposite direction.

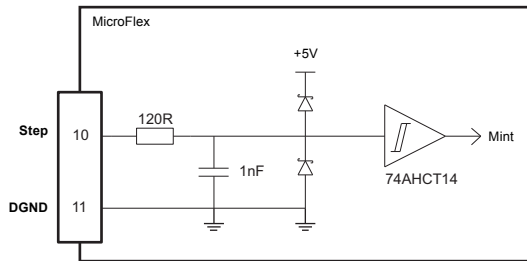


Figure 28: Step and direction input circuit - Step shown

When the MicroFlex is connected to Mint WorkBench, the following ratio can be configured using the Operating Mode Wizard. Alternatively, the Mint keywords `FOLLOWDENOM` and `FOLLOWNUMERATOR` can be used in the command window. See the Mint help file for details.

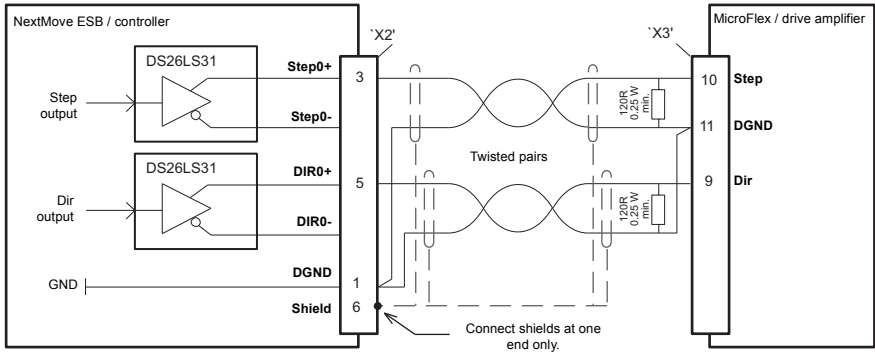


Figure 29: Stepper input - typical connection from a NextMove ESB

Note: When using a NextMove ESB's STEP and DIR outputs, do not connect the STEPx- or DIRx- outputs to ground; leave them unconnected as shown in Figure 33.

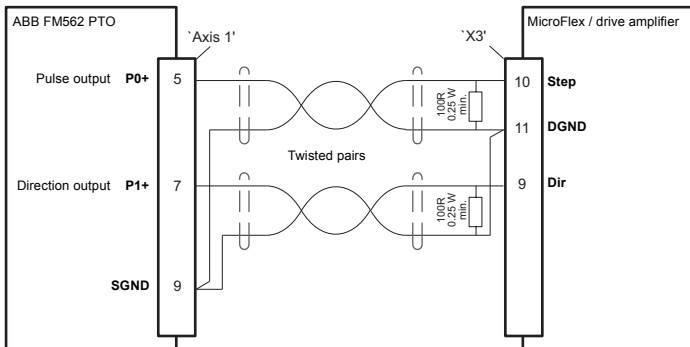


Figure 30: Stepper input - typical connection from an ABB FM562 PTO

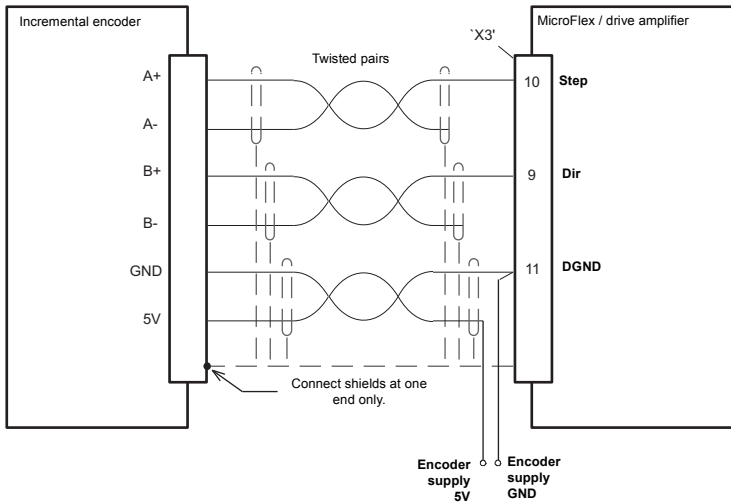


Figure 31: Stepper input - typical connection from an incremental encoder

Note: When using an incremental encoder source, do not connect the A- or B- outputs; leave them unconnected as shown in Figure 34.

To allow connection of 24 V signals, it is recommended to use an intermediate circuit as shown in Figure 35. The circuit's output voltage is determined by the pull-up voltage, V_{cc} .

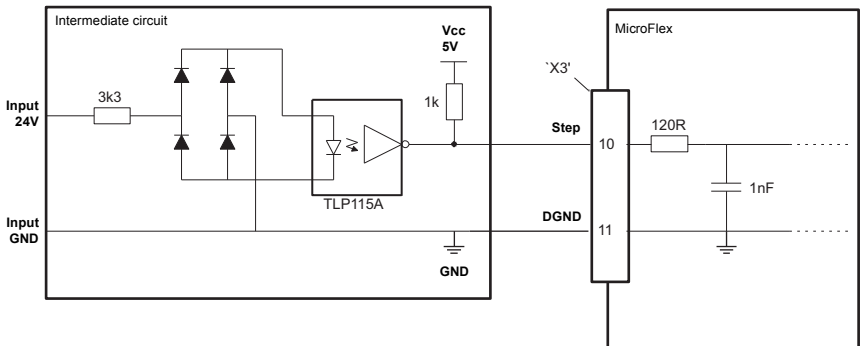
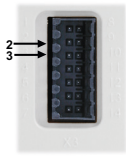


Figure 32: Step & direction - connection of 24 V signals

5.3.4 Status output - X3



Location	Connector X3, pins 2 & 3
Name	Status
Description	Opto-isolated status output Output current: 100 mA maximum User supply: 30 V DC maximum Update interval: 500 µs

The optically isolated status output is designed to source current from the user supply as shown in Figure 36. The PS2562L has a maximum power dissipation of 200 mW at 25°C. The maximum saturated voltage across the outputs when active is 1.0 V DC, so it can be used as a TTL compatible output.

The output includes a self-resetting fuse that operates at approximately 200 mA. The fuse may take up to 20 seconds to reset after the load has been removed. If the output is used to directly drive a relay, a suitably rated diode must be fitted across the relay coil, observing the correct polarity. This is to protect the output from the back-EMF generated by the relay coil when it is de-energized. The sense of the output can be configured in Mint WorkBench, and its state is displayed in the Spy window.

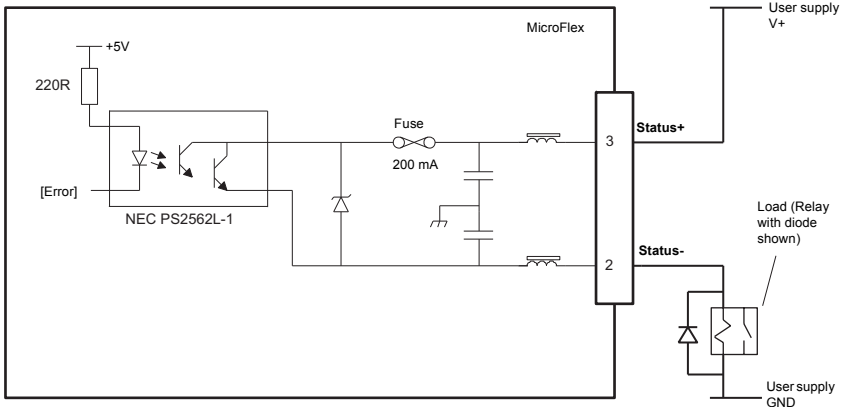


Figure 33: Drive status output circuit

When the MicroFlex is connected to Mint WorkBench, the active level of the output can be configured using the Operating Mode Wizard. Alternatively, the Mint keyword `OUTPUTACTIVELEVEL` can be used in the command window. The output can also be configured using the Mint keywords `DRIVEENABLEOUTPUT` or `GLOBALERROROUTPUT`. See the Mint help file for details.

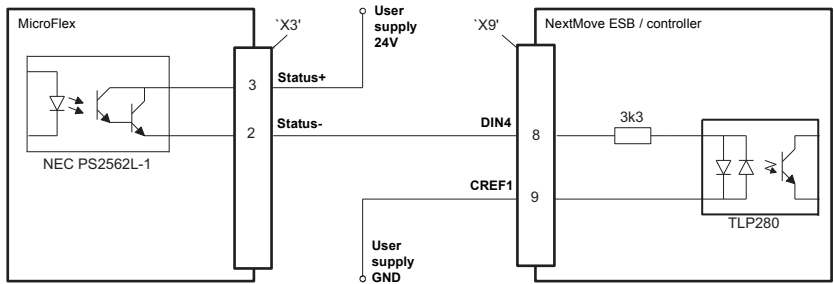
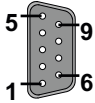


Figure 34: Status output - typical connections to a NextMove ESB

5.4 Serial port - X6



Location	Connector X6	
Pin	RS232 name	RS485 / RS422 name
1	(NC)	(NC)
2	RXD	RX- (input)
3	TXD	TX- (output)
4	(NC)	(NC)
5	0V GND	0V DGND
6	(NC)	(NC)
7	RTS	TX+ (output)
8	CTS	RX+ (input)
9	(NC)	(NC)
Description	RS232 or RS485 / RS422 connections on a 9-pin male D-type connector	

MicroFlex is available with either an RS232 or RS485 serial port (see section 2.2.1). The port is fully ESD protected to IEC 1000-4-2 (15 kV).

5.4.1 Using RS232 cable

The MicroFlex has a full-duplex RS232 serial port with the following preset configuration:

- 57.6 Kbaud
- 1 start bit
- 8 data bits
- 1 stop bit
- No parity
- Hardware handshaking lines RTS and CTS must be connected.

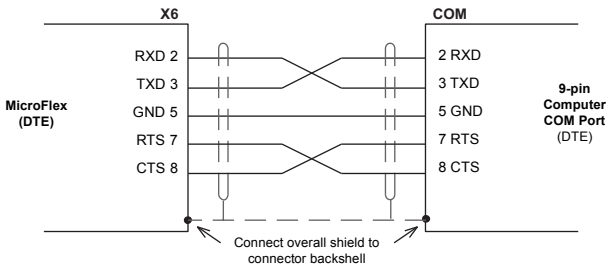


Figure 35: RS232 serial port connections

When the MicroFlex is connected to Mint WorkBench, the Tools, Options menu item can be used to configure the serial port. The configuration can also be changed using the Mint keyword SERIALBAUD (see the Mint help file for details).

The RS232 port is configured as a DTE (Data Terminal Equipment) unit. Both the output and input circuitry are single ended and operate between ± 12 V. The port is capable of operation at up to 57.6 Kbaud. The maximum recommended cable length is 3 m (10 ft) at 57.6 Kbaud (the factory preset rate). When using lower baud rates, longer cable lengths may be used up to maximum of 15 m (49 ft) at 9600 baud.

5.4.2 Multidrop using RS485 / RS422 cable

Multidrop systems allow one device to act as a 'network master', controlling and interacting with the other (slave) devices on the network. The network master can be a controller such as MicroFlex, a host application such as Mint WorkBench (or other custom application), or a programmable logic controller (PLC). RS422 may be used for multi-drop applications as shown in Figure 39. Four-wire RS485 may be used for single point-to-point applications involving only one controller. If firmware is updated over RS485/RS422, it can only be downloaded to the drive that was chosen in the Select Controller dialog in Mint WorkBench.

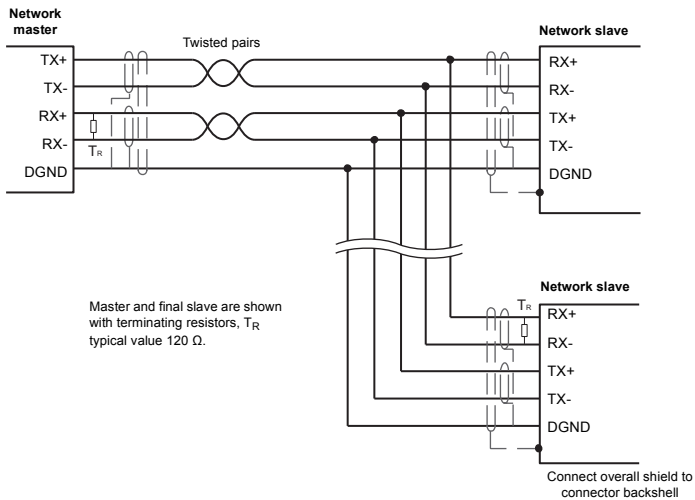


Figure 36: 4-wire RS422 multi-drop connections

Each transmit/receive (TX/RX) network requires a termination resistor at the final RX connection, but intermediate devices must not be fitted with termination resistors. An exception is where repeaters are being used which may correctly contain termination resistors. Termination resistors are used to match the impedance of the load to the impedance of the transmission line (cable) being used. Unmatched impedance causes the transmitted signal to not be fully absorbed by the load. This causes a portion of the signal to be reflected back into the transmission line as noise. If the source impedance, transmission line impedance, and load impedance are all equal, the reflections (noise) are eliminated. Termination resistors increase the load current and sometimes change the bias requirements and increase the complexity of the system.

5.4.3 Connecting serial Baldor HMI Operator Panels

Serial Baldor HMI Operator Panels use a 15-pin male D-type connector (marked PLC PORT), but the MicroFlex connector X6 is a 9-pin male D-type connector. The MicroFlex may be connected with or without hardware handshaking, as shown in Figure 40:

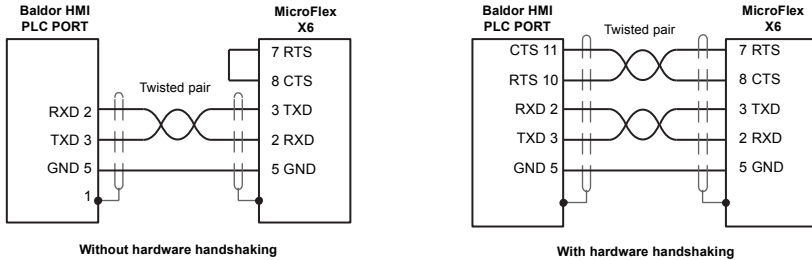


Figure 37: RS232 cable wiring

Alternatively, the Baldor HMI panel may be connected using RS485/422, as shown in Figure 41:

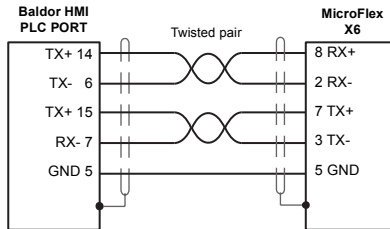
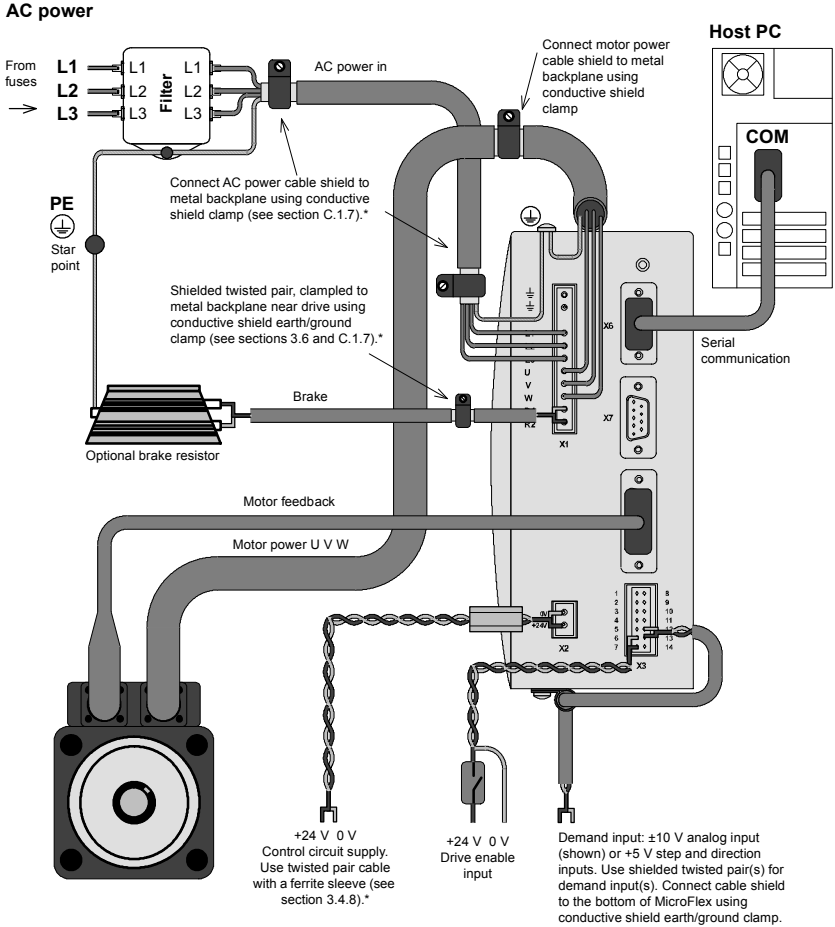


Figure 38: RS485/422 cable wiring

5.5 Connection summary - recommended system wiring

As an example, Figure 42 shows the recommended wiring necessary for the MicroFlex to control a motor, while conforming to the EMC requirements for 'industrial' environments.



- The MicroFlex should be mounted on an earthed metal backplane.
- Ensure cables do not obstruct airflow to the heatsink.
- Motor represents a typical Baldor BSM motor. Linear motors may also be controlled by MicroFlex
- Conductive shield earth/ground clamps are not supplied.
- When using single phase supplies it may be necessary to reverse the AC power filter - see section 3.4.7.2.

Figure 39: Recommended system wiring

6.1 Introduction

Before powering the MicroFlex you will need to connect it to the PC using a serial cable and install the Mint WorkBench software. This includes a number of applications and utilities to allow you to configure, tune and program the MicroFlex. Mint WorkBench and other utilities can be found on the Mint Motion Toolkit CD (OPT-SW-001), or downloaded from www.abbmotion.com.

6.1.1 Connecting the MicroFlex to the PC

Connect the serial cable between a PC serial port (often labeled as “COM”) and the MicroFlex connector X6. Mint WorkBench can scan all the COM ports, so any port can be used.

6.1.2 Installing Mint WorkBench

The Windows user account requires administrative user rights to install Mint WorkBench.

6.1.2.1 To install Mint WorkBench from the CD (OPT-SW-001)

1. Insert the CD into the drive.
2. After a few seconds the setup wizard should start automatically. If the setup wizard does not appear, select Run... from the Windows Start menu and type

```
d:\start
```

where **d** represents the drive letter of the CD device.

Follow the on-screen instructions to install Mint WorkBench.

6.1.2.2 To install Mint WorkBench from the website

To install Mint WorkBench from www.abbmotion.com, download the application and run it.

6.1.3 Starting the MicroFlex

If you have followed the instructions in the previous sections, you should now have connected all the power sources, inputs and outputs, and the serial cable linking the PC to the MicroFlex.

6.1.4 Preliminary checks

Before you apply power for the first time, it is very important to verify the following:

- Disconnect the load from the motor until instructed to apply a load. If this cannot be done, disconnect the motor wires at connector X1.
- Verify that the AC line voltage matches the specification of the MicroFlex.
- Inspect all power connections for accuracy, workmanship and tightness.
- Verify that all wiring conforms to applicable codes.
- Verify that the MicroFlex and motor are properly earthed/grounded.
- Check all signal wiring for accuracy.

6.1.5 Power on checks

If at any time the Status LED flashes red, the drive has detected a fault - see section 7.

1. Turn on the 24 V DC supply.
2. Turn on the AC supply.
3. After a brief test sequence, the Status LED should be green.

If the LED is not lit then re-check the power supply connections.

4. If the motor wires were disconnected in section 6.1.4, turn off the AC supply and reconnect the motor wires. Turn on the AC supply.
5. To allow the Commissioning Wizard to function, the drive enable signal will need to be present on connector X3 to allow the MicroFlex to be enabled (see section 5.3.1). If you do not wish to enable the MicroFlex yet, the Commissioning Wizard will inform you when this step is necessary.

The MicroFlex is now ready to be commissioned using Mint WorkBench.

6.2 Mint WorkBench

Mint WorkBench is a fully featured application for commissioning the MicroFlex. The main Mint WorkBench window contains a menu system, the Toolbox and other toolbars. Many functions can be accessed from the menu or by clicking a button - use whichever you prefer. Most buttons include a 'tool-tip'; hold the mouse pointer over the button (don't click) and its description will appear. Most buttons include a 'tool-tip'; hold the mouse pointer over the button (don't click) and its description will appear.

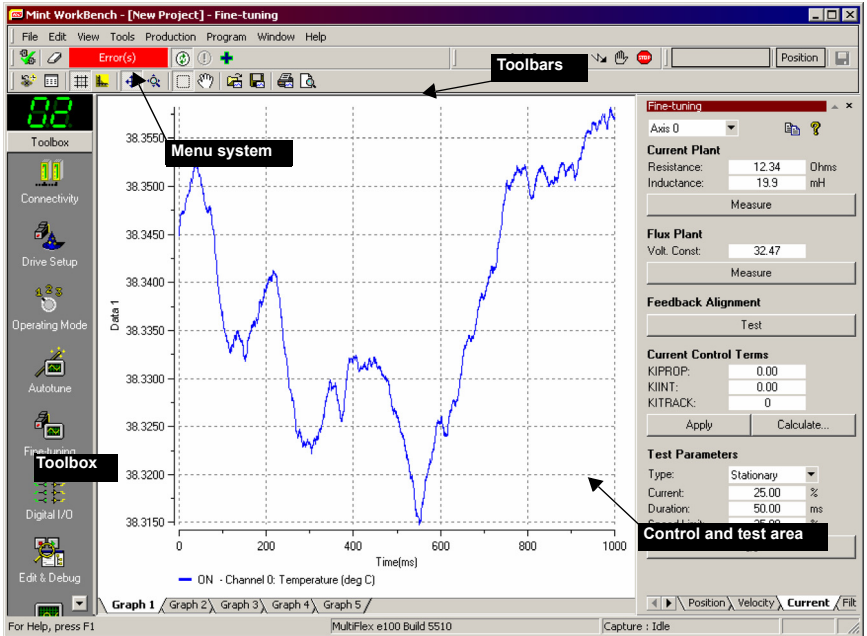


Figure 40: The Mint WorkBench software

6.2.1 Help file

Mint WorkBench includes a comprehensive help file that contains information about every Mint keyword, how to use Mint WorkBench and background information on motion control topics. The help file can be displayed at any time by pressing F1. On the left of the help window, the Contents tab shows the tree structure of the help file. Each book icon contains a number of topics. The Index tab provides an alphabetic list of all topics in the file, and allows you to search for them by name. The Search tab allows you to search for words or phrases appearing anywhere in the help file. Many words and phrases are underlined and highlighted with a color (normally blue) to show that they are links. Just click on the link to go to an associated keyword. Most keyword topics begin with a list of relevant *See Also* links.

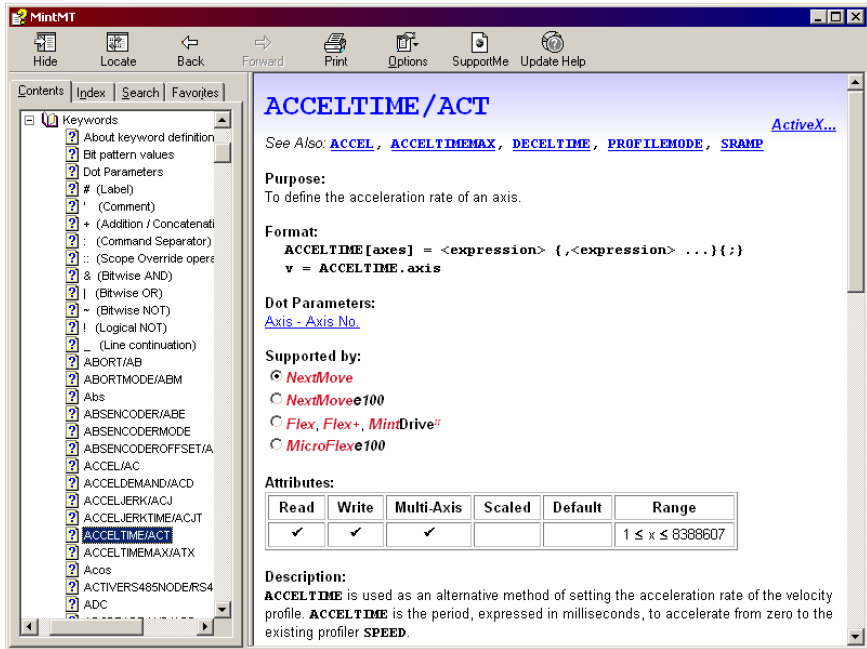


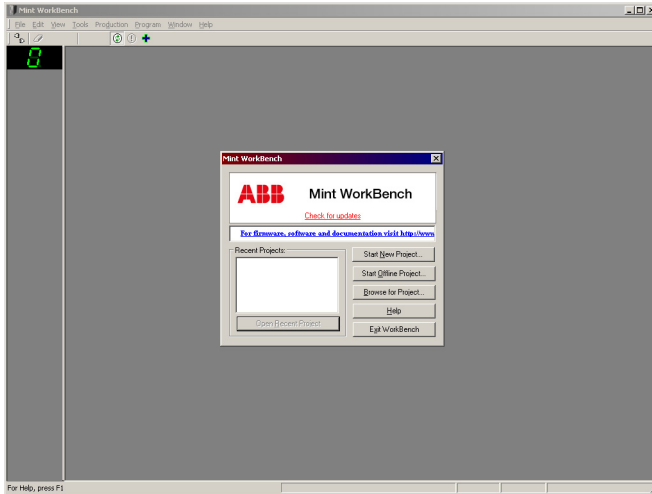


Figure 41: The Mint WorkBench help file

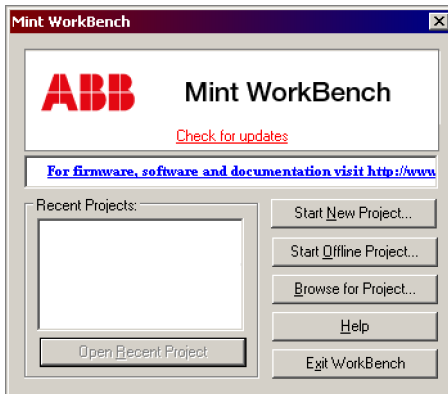
For help on using Mint WorkBench, click the **Contents** tab, then click the small plus sign  beside the **Mint WorkBench & Mint Machine Center** book icon. Double click a  topic name to display it.

6.2.2 Starting Mint WorkBench

1. On the Windows **Start** menu, select Programs, Mint WorkBench, Mint WorkBench.



2. In the opening dialog box, click **Start New Project...**

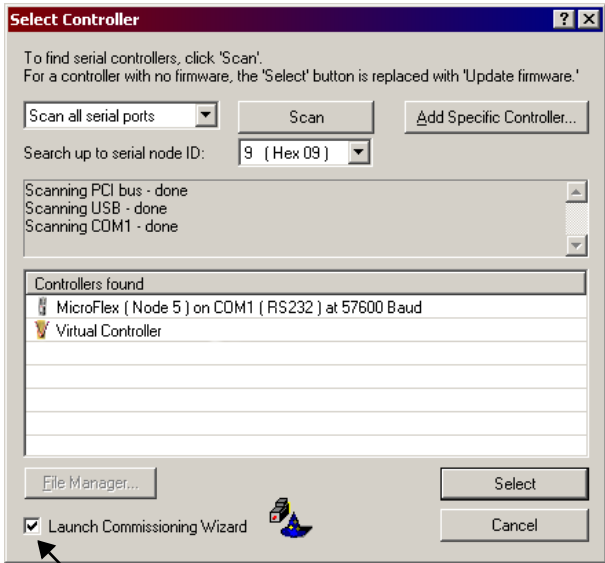


3. In the Select Controller dialog, go to the drop down box near the top and select the PC serial port to which the MicroFlex is connected.

(If you are unsure which PC serial port is connected to the MicroFlex, select **Scan all serial ports**).

Click **Scan** to search for the MicroFlex.

When the search is complete, click on MicroFlex in the list to select it, and click the **Select** button.



This check box is already selected for you. When you click **Select**, it means that the Commissioning Wizard will start automatically.

Note: If the MicroFlex is not listed, check the serial lead between the MicroFlex and the PC. Check that the MicroFlex is powered correctly. Click **Scan** to re-scan the ports.

6.2.3 Commissioning Wizard

Each type of motor and drive combination has different performance characteristics. Before the MicroFlex can be used to control the motor accurately, the MicroFlex must be “tuned”. This is the process where the MicroFlex powers the motor in a series of tests. By monitoring the feedback from the motor’s encoder and performing a number of calculations, the MicroFlex can make small adjustments to the way it controls the motor. This information is stored in the MicroFlex and can be uploaded to a file if necessary.

The Commissioning Wizard provides a simple way to tune the MicroFlex and create the necessary configuration information for your drive/motor combination, so this is the first tool that should be used. However, if necessary any of the parameters set by the Commissioning Wizard can be adjusted manually after commissioning is complete.

6.2.4 Using the Commissioning Wizard




The motor will move during commissioning. For safety it is advisable to disconnect any load from the motor during initial commissioning. The motor can be tuned with the load connected after the Commissioning Wizard has finished.

Each screen of the Commissioning Wizard requires you to enter information about the motor or drive. Read each screen carefully and enter the required information.

If you need extra help, click the **Help** button or press F1 to display the help file.

When you have completed a screen, click **Next >** to display the next screen. If you need to change something on a previous screen, click the **< Back** button. The Commissioning Wizard remembers information that you have entered so you will not need to re-enter everything if you go back to previous screens.

During commissioning, changed parameters are stored in the MicroFlex’s volatile memory. For this reason, the Commissioning Wizard will occasionally prompt you to save the parameters. Selecting **Yes** will cause the parameters to be saved in the MicroFlex’s non-volatile flash memory, to be retained when power is removed. If you select **No**, you must remember to use the *Save Drive Parameters* function before removing power from the MicroFlex; this function is available on the Tools menu, or by clicking the  button on the Mode toolbar. Saving parameters into flash memory will cause the MicroFlex to be reset.

6.3 Further configuration

Mint WorkBench provides a number of tools, each of which has an icon on the left of the screen. Click once on an icon to select the tool. Three of the main tools used for tuning and configuring the MicroFlex are described in the following sections.

Every tool is explained fully in the help file. Press F1 to display the help file, then navigate to the Mint WorkBench book. Inside this is the Toolbox book.

6.3.1 Fine-tuning tool

The Commissioning Wizard calculates many parameters that allow the MicroFlex to provide basic control of the motor. These parameters may need to be fine-tuned to provide the exact response that you require. The Fine-tuning screen allows you to do this.

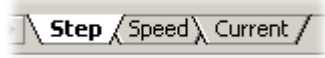
1. Click the Fine-tuning icon in the Toolbox on the left of the screen.

The Fine-tuning window is displayed at the right of the screen. This already shows some of the parameters that have been calculated by the Commissioning Wizard.



The main area of the Mint WorkBench window displays the capture window. When further tuning tests are performed, this will display a graph representing the response.

2. The Fine-tuning window has three tabs at the bottom - Step, Speed and Current. Click on a tab to select it.



Click the tab for the type of tests you wish to perform.

Note: Some tabs may not be available depending on the configuration mode you selected in the Commissioning Wizard.

6.3.1.1 Fine-tuning - Step tab

The Step tab allows you to adjust position loop settings and perform test moves. The Commissioning Wizard may have already set some of these values, depending on the type of system selected on the mode screen.

Enter new values in the required boxes and then click **Apply** to download the values to the MicroFlex. To perform tests, go to the Test Parameters area at the bottom of the tab. Enter test values and then click **Go** to perform the test move. If you need help, just press F1 to display the help file.

6.3.1.2 Fine-tuning - Speed tab

The Speed tab allows you to set speed loop gains and perform test moves. The Commissioning Wizard may have already set some of these values, depending on the type of system selected on the mode screen.

Enter new values in the required boxes and then click **Apply** to download the values to the MicroFlex. To perform tests, go to the Test Parameters area at the bottom of the tab. Enter test values and then click **Go** to perform the test move. If you need help, just press F1 to display the help file.

6.3.1.3 Fine-tuning - Current tab

The Current tab allows you to set current loop gains and perform test moves. The Commissioning Wizard may have already set some of these values, depending on the type of system selected on the mode screen. Normally, it should not be necessary to alter these values.

Enter new values in the required boxes and then click **Apply** to download the values to the MicroFlex. To perform tests, go to the Test Parameters area at the bottom of the tab. Enter test values and then click **Go** to perform the test move. If you need help, just press F1 to display the help file.

The additional **Measure** and **Feedback alignment** buttons can be used to repeat the same measurement and alignment tests as the Commissioning Wizard.

6.3.2 Parameters tool

The Parameters tool can be used to setup many important parameters, such as a scaling factor for the feedback input, and the action to take when errors occur.

1. Click the Parameters icon in the Toolbox on the left of the screen.

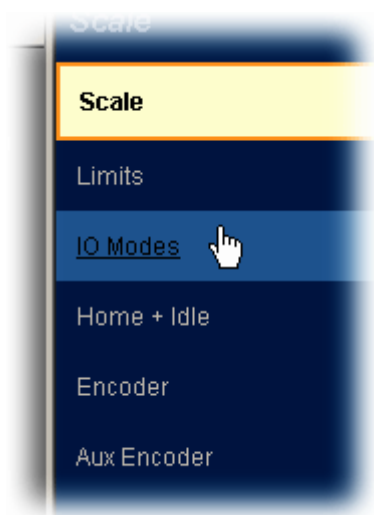
The main area of the Mint WorkBench window displays the Controller Parameters screen.



2. The Controller Parameters screen has a number of tabs listed on the left. Click on a tab to select it.

If you need help with any of the options, just press F1 to display the help file.

Remember to click the tab's **Apply** button to send the changes to the MicroFlex.

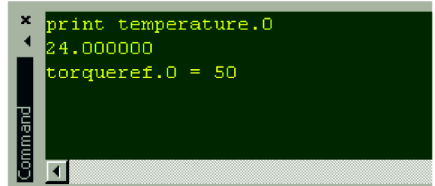


6.3.3 Other tools and windows

Each tool and window is explained fully in the help file, so is not described here in detail.

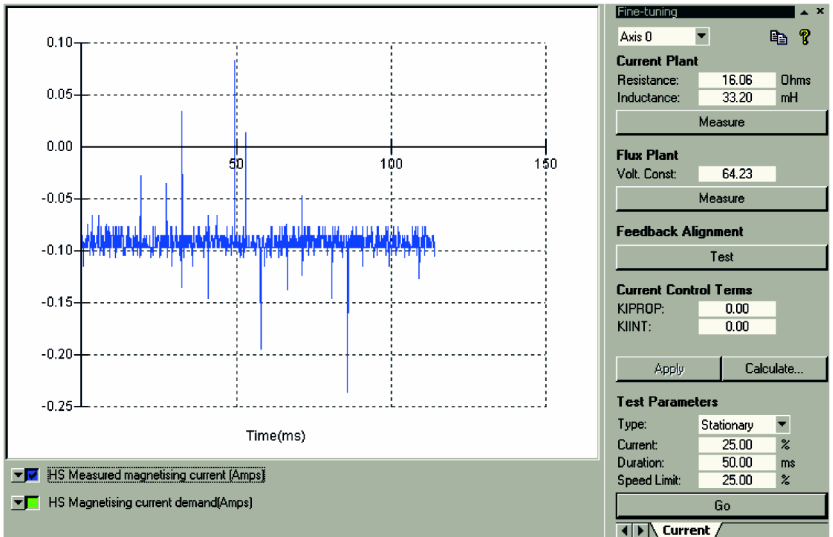
- Edit & Debug Tool

This tool provides a work area including the Command window and Output window. The Command window can be used to send immediate Mint commands to the MicroFlex.



- Scope Tool

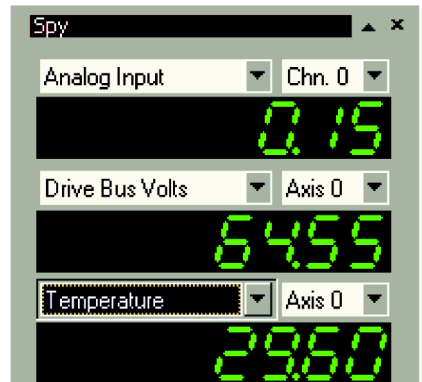
Displays the capture screen. This screen is also shown when the Fine-tuning tool is selected.



- Spy window

Allows you to monitor all the important parameters for the axis.

Remember, for help on each tool just press F1 to display the help file, then navigate to the Mint WorkBench book. Inside this is the Toolbox book.




7.1 Introduction

This section explains common problems that may be encountered, together with possible solutions.

7.1.1 Problem diagnosis

If you have followed all the instructions in this manual in sequence, you should have few problems installing the MicroFlex. If you do have a problem, read this section first and check the help file in Mint WorkBench. If you cannot solve the problem or the problem persists, the SupportMe feature can be used.

7.1.2 SupportMe feature

The SupportMe feature is available from the Help menu or by clicking the  button on the motion toolbar. SupportMe can be used to gather information which can then be e-mailed, saved as a text file, or copied to another application. The PC must have e-mail facilities to use the e-mail feature. If you prefer to contact technical support by telephone or fax, contact details are provided at the front of this manual. Please have the following information ready:

- The serial number of your MicroFlex.
- Use the Help, SupportMe menu item in Mint WorkBench to view details about your system.
- The catalog and specification numbers of the motor that you are using.
- Give a clear description of what you are trying to do, for example trying to establish communications with Mint WorkBench or trying to perform fine-tuning.
- Give a clear description of the symptoms that you can observe, for example the Status LED, error messages displayed in Mint WorkBench, or the current value of the Mint error keywords `AXISERROR` and `DRIVEERROR`.
- The type of motion generated in the motor shaft.
- Give a list of any parameters that you have setup, for example the motor data you entered/selected in the Commissioning Wizard, the gain settings generated during the tuning process and any gain settings you have entered yourself.


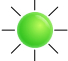

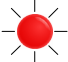
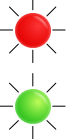
7.1.3 Power-cycling the MicroFlex

The term “Power-cycle the MicroFlex” is used in the Troubleshooting sections. Remove the 24 V supply, wait for the MicroFlex to power down completely (the Status LED will turn off), then re-apply the 24 V supply.

7.2 Status LED

The Status LED indicates general MicroFlex status information.



	<p>Solid green: Drive enabled (normal operation).</p>																										
	<p>Flashing green: Firmware download in progress.</p>																										
	<p>Solid red: Drive disabled, but no errors are latched.</p>																										
	<p>Flashing red: Powerbase fault or error(s) present. The number of flashes indicates which error has occurred. For example, to display error 3 (overcurrent trip), the LED flashes 3 times at 0.1 second intervals, followed by a 0.5 second pause. The sequence is repeated continuously.</p> <table border="0"> <thead> <tr> <th><u>Error code</u> (no. of flashes)</th> <th><u>Meaning</u></th> </tr> </thead> <tbody> <tr> <td>1</td> <td>DC bus overvoltage trip.</td> </tr> <tr> <td>2</td> <td>IPM (integrated power module) trip.</td> </tr> <tr> <td>3</td> <td>Overcurrent trip.</td> </tr> <tr> <td>4</td> <td>Overspeed trip.</td> </tr> <tr> <td>5</td> <td>Feedback trip.</td> </tr> <tr> <td>6</td> <td>Motor overload (I^2t) trip.</td> </tr> <tr> <td>7</td> <td>Overtemperature trip.</td> </tr> <tr> <td>8</td> <td>Drive overload (I_t) trip.</td> </tr> <tr> <td>9</td> <td>Following error trip.</td> </tr> <tr> <td>10</td> <td>Error input triggered.</td> </tr> <tr> <td>11</td> <td>Phase search error.</td> </tr> <tr> <td>12</td> <td>All other errors, including: Internal supply error, encoder supply error, parameter restore failure, power base not recognized.</td> </tr> </tbody> </table> <p>If multiple errors occur at the same time, the lowest numbered error code will be flashed. For example, a MicroFlex which has tripped on both feedback error (code 5) and over-current error (code 3) will flash error code 3. If the drive is already displaying an error code when a new error with a lower code occurs, the drive will start flashing the new code. Note that undervoltage trip does not appear in the table because it is already indicated by the green/red flashing state. If an undervoltage trip occurs in conjunction with another error, the drive will flash the code of the additional error.</p> <p>Further details about error codes can be found in the Mint WorkBench help file. Press F1 and locate the <code>DRIVEERROR</code> and <code>AXISERROR</code> keywords, or the <i>Error Handling</i> book.</p>	<u>Error code</u> (no. of flashes)	<u>Meaning</u>	1	DC bus overvoltage trip.	2	IPM (integrated power module) trip.	3	Overcurrent trip.	4	Overspeed trip.	5	Feedback trip.	6	Motor overload (I^2t) trip.	7	Overtemperature trip.	8	Drive overload (I_t) trip.	9	Following error trip.	10	Error input triggered.	11	Phase search error.	12	All other errors, including: Internal supply error, encoder supply error, parameter restore failure, power base not recognized.
<u>Error code</u> (no. of flashes)	<u>Meaning</u>																										
1	DC bus overvoltage trip.																										
2	IPM (integrated power module) trip.																										
3	Overcurrent trip.																										
4	Overspeed trip.																										
5	Feedback trip.																										
6	Motor overload (I^2t) trip.																										
7	Overtemperature trip.																										
8	Drive overload (I_t) trip.																										
9	Following error trip.																										
10	Error input triggered.																										
11	Phase search error.																										
12	All other errors, including: Internal supply error, encoder supply error, parameter restore failure, power base not recognized.																										
	<p>Alternate red/green flashing: Undervoltage warning (no AC power). The DC-bus voltage has dropped below the powerbase undervoltage level (see <code>DRIVEBUSUNDERVOLTS</code>). Check that AC power is connected. This error will be automatically cleared when AC power is restored, so the MicroFlex does not need to be reset.</p>																										

7.2.1 Communication

Problem	Check
Status LED is off	Check that the 24 V DC control circuit supply is connected correctly to connector X2 and is switched on.
Mint WorkBench fails to detect the MicroFlex - it detects "No controller found. Communication fault on COMx".	<p>Ensure that the MicroFlex is powered and the Status LED is illuminated (see section 7.2).</p> <p>Check that the serial cable is connected between the PC's COM port and connector X6 on the MicroFlex.</p> <p>Check which PC COM port is being used, or use the "Scan all serial ports" option to locate the MicroFlex.</p> <p>Check the wiring of the serial cable or try an alternate cable.</p> <p>On the PC, try an alternative COM port.</p> <p>Confirm that a mouse driver or other serial device is not conflicting (using the same COM port) as Mint WorkBench.</p> <p>Does the MicroFlex have firmware in it? If you tried to download new firmware and the download failed, the controller may not have firmware.</p> <p>Check that the selected baud rate is supported by the PC and MicroFlex.</p> <p>If the "Only scan COMx" option is selected in Mint WorkBench, check that the correct COM port is selected.</p> <p>If the "Search up to Nodexx" option is selected in Mint WorkBench, check that the MicroFlex node number is not higher than this value, or search up to a greater node value.</p> <p>Do you have multiple nodes on the bus? If so, they must all be set to the same baud rate. Mint WorkBench scans through all the node ID's at different baud rates. When it finds a node, it will only continue to scan for other nodes at the same baud rate.</p>

7.2.2 Power on

Problem	Check
The Status LED is flashing.	<p>The MicroFlex has detected a motion error. Click the Error button on the motion toolbar to view a description of the error. Alternatively, type these commands in the Command window:</p> <pre>PRINT AXISERROR PRINT DRIVEERROR</pre> <p>Click the Clear Errors button on the motion toolbar.</p>
Drive does not start when applying AC power	<p>Check that the motor output phases are not short circuited. If drive trips on a motor phase short circuit it will not restart unless AC power is removed. Remove all power from the drive, correct the short circuit and restart the drive.</p>

7.2.3 Tuning

Problem	Check
Cannot enable the MicroFlex because <code>AXISERROR</code> has bit 13 set	<p>Check the drive enable input on connector X3 pins 6 and 7 is connected and powered correctly.</p>
When the MicroFlex is enabled the motor is unstable	<p>Check that the current loop has been tuned. Check that the current loop was tuned with the correct motor data. If the motor is still unstable try reducing the Speed Proportional gain (<code>KVPROP</code>) and Speed Integral gain (<code>KVINT</code>) on the Speed tab of the Fine-tuning window.</p>

8.1 Introduction

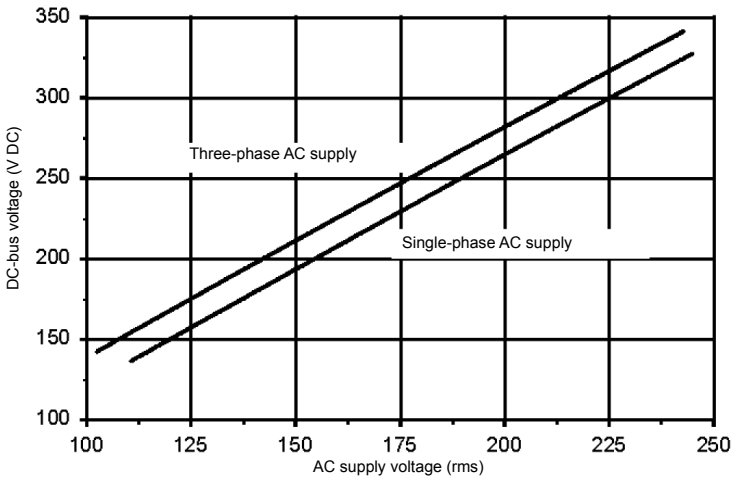
This section provides technical specifications for the MicroFlex.

8.1.1 AC input power and DC bus voltage (X1)

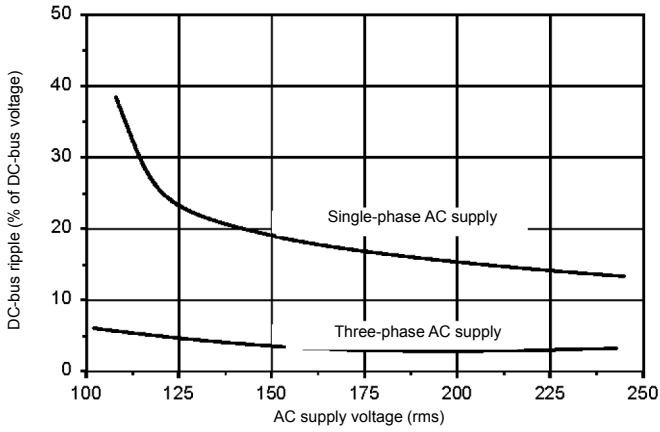
All models	Unit	AC input					
		1Φ			3Φ		
Nominal input voltage	V AC	115 or 230					
Minimum input voltage		105*					
Maximum input voltage		250					
Nominal DC-bus voltage	V DC	305			321		
Nominal input current @ maximum rated output current	A	3 A	6 A	9 A	3 A	6 A	9 A
		7.5	15	22	4	8	12

* The MicroFlex will operate at lower input voltages, although the drive will trip if the DC-bus voltage falls below 50 V or 60% of the no-load voltage, whichever occurs first.

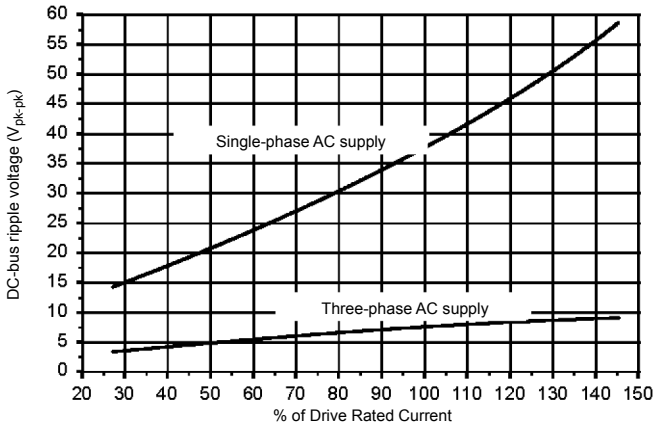
8.1.1.1 Effect of AC power supply voltage on DC-bus voltage



8.1.1.2 Effect of AC power supply voltage on DC-bus ripple



8.1.1.3 Effect of output current on DC-bus ripple voltage



8.1.2 24 V DC control circuit supply input (X2)

	Unit	3 A	6 A	9 A
Nominal input voltage	V DC	24		
Minimum input voltage		20		
Maximum input voltage		30		
Maximum ripple	%	±10		
Maximum continuous current @24 V DC	A	0.6		
Power on surge current (typical) @24 V DC, 100 ms	A	4		

8.1.3 Motor output power (X1)

	Unit	3 A	6 A	9 A
Nominal phase current	A _{RMS}	3	6	9
Peak phase current for 3 s	A _{RMS}	6	12	18
Nominal output @ 230 V, 3Φ	VA	1195	2390	3585
Output voltage range (line-line) @VDC-bus=320 V	V _{RMS}	0 - 230		
Output frequency	Hz	0 - 550		
Output dv/dt at drive, phase-phase at drive, phase-ground at motor (using 20 m cable), phase-phase at motor (using 20 m cable), phase-ground	kV/μs	2 1.1 1.9 1.8		
Nominal switching frequency	kHz	8.0		
Minimum motor inductance (per winding)	mH	1		
Efficiency	%	>95		

8.1.4 Braking (X1)

	Unit	3 A	6 A	9 A
Nominal switching threshold (typical)	V DC	on: 388, off: 376		
Nominal power (10% power cycle, R=57Ω)	kW	0.25		
Peak power (10% power cycle, R=57Ω)	kW	2.7		
Maximum switching current	A _{PK}	10		
Minimum load resistance	Ω	39		
Maximum load inductance	μH	100		

8.1.5 Analog input (X3)

	Unit	All models
Type		Differential
Common mode voltage range	V DC	±10
Common mode rejection	dB	>40
Input impedance	kΩ	>30
Input ADC resolution	bits	12
Equivalent resolution	mV	±4.9
Sampling interval	µs	125

8.1.6 Digital inputs - drive enable and general purpose (X3)

	Unit	All models
Type		Opto-isolated inputs
Input voltage	V DC	Nominal 24
Minimum		12
Maximum		30
Input current (@ Vin=24 V)		mA 6.7
Sampling interval	ms	0.5
Maximum pulse input frequency	MHz	1
Minimum pulse width	µs	5

8.1.7 Step and Direction inputs (X3)

	Unit	All models
Type		Non-isolated DC inputs
Input voltage	V DC	Nominal 5
Minimum		-0.5 V
Maximum		5.5 V
Active		> 3.7 V
Inactive		< 1.4 V
Input current (maximum, per input)		µA 20
Maximum step input frequency	MHz	1
Minimum pulse width	ns	250

8.1.8 Status output (X3)

	Unit	All models
User supply (maximum)	V	30
Output current (max. continuous)	mA	100
Fuse Approximate trip current Reset time	mA s	200 <20
Update interval	ms	0.5

8.1.9 Incremental encoder feedback option (X8)

	Unit	All models
Encoder input		A/B Differential, Z index
Maximum input frequency (quadrature)	MHz	8
Hall inputs		Single ended, 5 V logic
Output power supply to encoder		5 V ($\pm 7\%$), 200 mA max.
Maximum recommended cable length		30.5 m (100 ft)

8.1.10 SSI encoder feedback option (X8)

	Unit	All models
SSI encoder inputs		Differential Data and Clock
Operating mode (Baldor motors)		Single turn. Positioning resolution up to 262144 counts/rev (18-bit)
Output power supply to encoder		5 V ($\pm 7\%$), 200 mA max.
Maximum recommended cable length		30.5 m (100 ft)

8.1.11 Resolver feedback option (X8)

	Unit	All models
Resolution set automatically by software	bits	14
Resolver winding ratio		0.5
Excitation frequency	kHz	8
Excitation voltage	V AC	17 (pk-pk) 6 (rms)
Excitation current	mA	100 (maximum, fused)
MicroFlex resolver input accuracy	counts	±3
Typical accuracy using Baldor BSM series resolver motor (with input set to simulate 4096 ppr)	counts	±11
Maximum recommended cable length		30.5 m (100 ft)

8.1.12 Encoder output (simulated) (X7)

	Unit	All models
Signal		RS422
Resolution with encoder input on X8 with SSI encoder input on X8		Output is a copy of the input on X8. Adjustable simulated output. See section 4.1.4.

8.1.13 Serial RS232/RS485 interface (X6)

	Unit	All models
Signal		RS232, non-isolated CTS/RTS or RS485, non-isolated (model dependent)
Bit rate	baud	9600, 19200, 38400, 57600 (default)

8.1.14 Environmental

<i>All models</i>	Unit	All models		
Operating temperature range*		°C		°F
Minimum		+0		+32
Maximum		+45		+113
Derate		See sections 3.2.2 to 3.2.5	See sections 3.2.2 to 3.2.5	
Storage temperature range*		-40 to +85		-40 to +185
Humidity (maximum)*	%	93		
		3 A	6 A	9 A
Forced air cooling flow (vertical, from bottom to top)	m/s	None required	1	2.5
Maximum installation altitude (above m.s.l.)	m	1000 Derate 1.1% / 100 m over 1000 m		
	ft	3300 Derate 1.1% / 330 ft over 3300 ft		
Shock*		10 G		
Vibration*		1 G, 10-150 Hz		
IP rating		IP20**		

* MicroFlex complies with the following environmental test standards:

BS EN60068-2-1:1993 low temperature operational 0°C.

BS EN60068-2-2:1993 high temperature operational 45°C.

BS EN60068-2-1:1993 low temperature storage/transportation -40°C.

BS EN60068-2-2:1993 high temperature storage/transportation +85°C.

BS 2011:part2.1 Cb: 1990: 45°C 93%RH humidity/high temperature operational.

DIN IEC 68-2-6/29

** MicroFlex complies with EN61800-5-1:2003 part 5.2.2.5.3 (Impact Test), provided all front panel connectors are inserted.

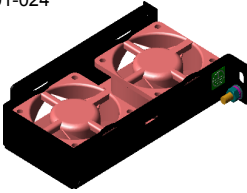
A.1 Introduction

This section describes accessories and options that you may need to use with your MicroFlex. Shielded (screened) cables provide EMI / RFI shielding and are required for compliance with CE regulations. All connectors and other components must be compatible with the shielded cable.

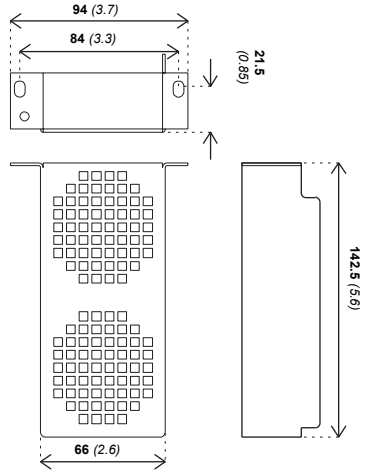
A.1.1 Fan tray

The fan tray (part FAN001-024) provides sufficient cooling for the 3 A, 6 A or 9 A MicroFlex. It requires 23 - 27.5 V DC at 325 mA, which may be sourced from the same filtered control circuit supply used for the MicroFlex. The MicroFlex is UL listed (file NMMS.E470302) when used in conjunction with the fan tray, mounted exactly as shown in Figure 45.

Fan tray
FAN001-024



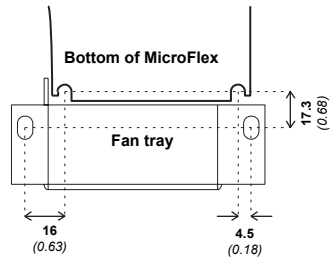
Fan tray dimensions



Assembled MicroFlex and fan tray



Position of fan tray mounting holes relative to MicroFlex



It is important that the fan tray is mounted in close proximity to the MicroFlex as shown above. Failure to do so will result in decreased cooling efficiency.

Figure 42: Fan tray

A.1.2 Footprint filter

The single-phase footprint AC power filter (part FI0029A00) provides mounting holes for the MicroFlex and fan tray. This allows the filter, fan tray and MicroFlex to use the minimum panel mounting space. See section A.1.3 for details of filter FI0029A00.

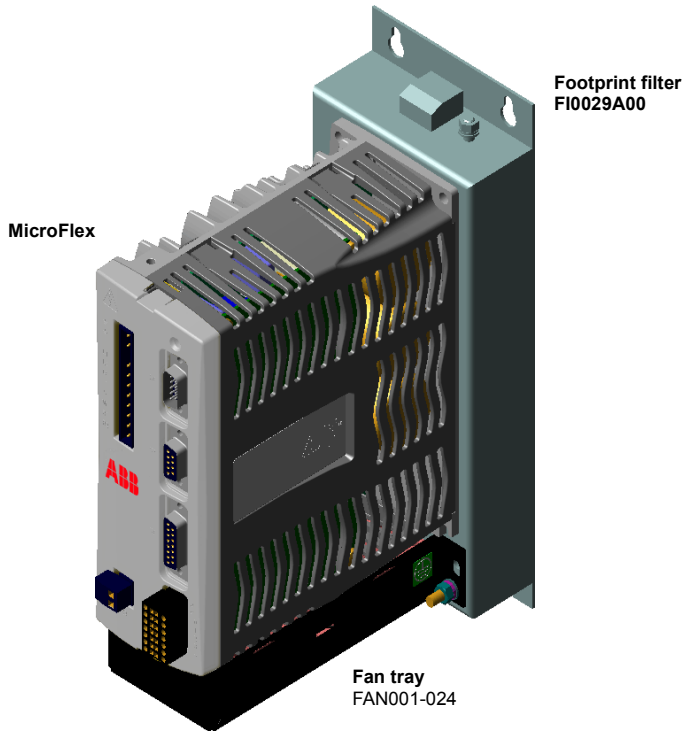


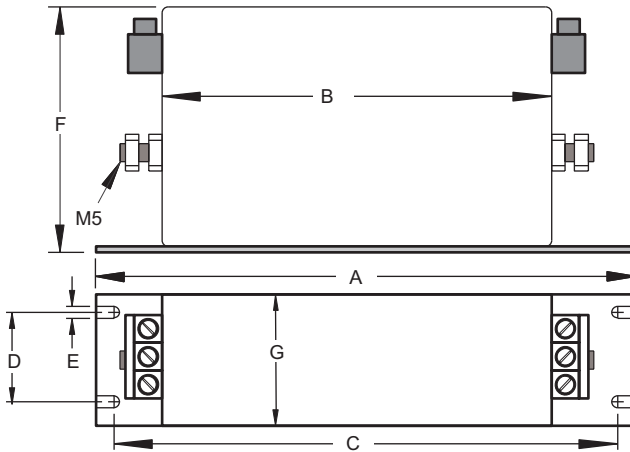
Figure 43: Assembled footprint filter, fan tray and MicroFlex

A.1.3 EMC filters

AC filters remove high frequency noise from the AC power supply, protecting the MicroFlex. These filters also prevent high frequency signals from being transmitted back onto the power lines and help meet EMC requirements. To select the correct filter, see sections 3.4.7 and 3.4.8.

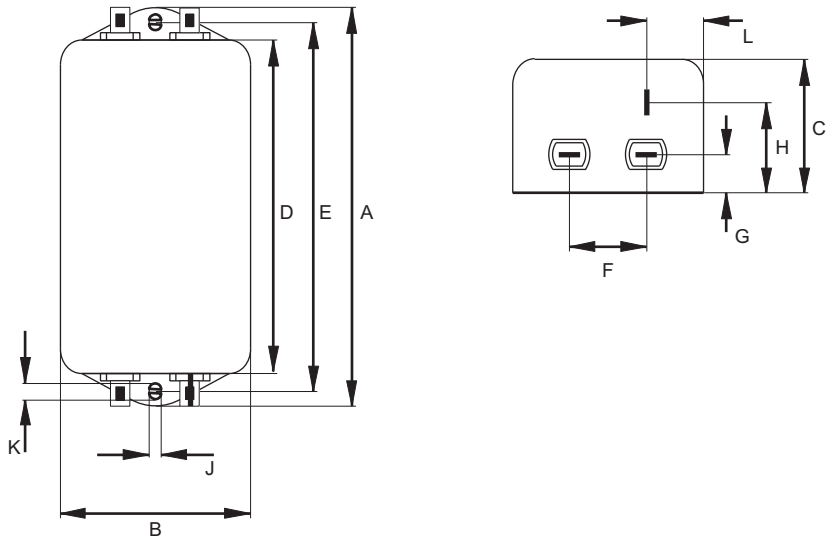
A.1.3.1 Part numbers

Filter	Rated volts	Rated amps @ 40°C	Leakage current (mA)	Weight kg (lbs)
FI0014A00	250	3	0.4	0.27 (0.6)
FI0015A00	250	6	0.4	0.45 (0.99)
FI0015A02	250	12	0.4	0.73 (1.61)
FI0018A00	480	7	33	0.5 (1.1)
FI0018A03	480	16	33	0.8 (1.76)
FI0029A00	250	22	33	3.0 (6.6)



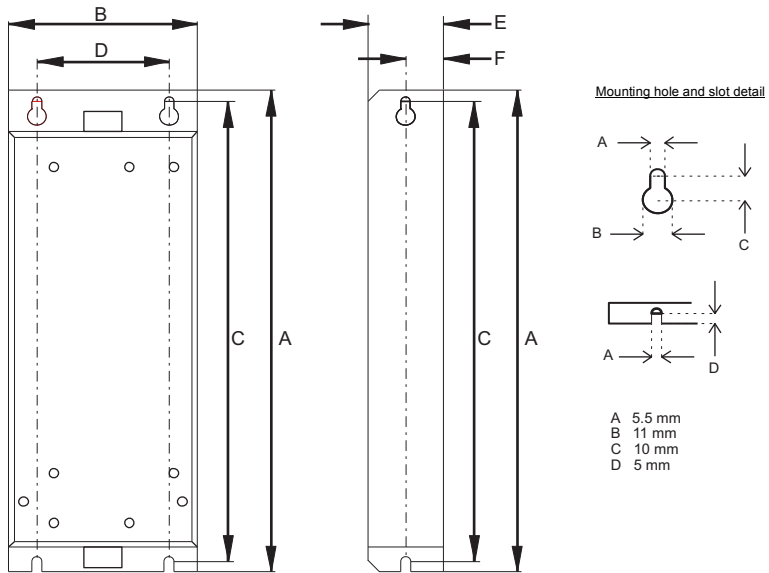
Dimension	Dimensions mm (inches)	
	FI0018A00	FI0018A03
A	190 (7.48)	250 (9.84)
B	160 (6.30)	220 (8.66)
C	180 (7.09)	235 (9.25)
D	20 (0.79)	25 (0.98)
E	4.5 (0.18)	5.4 (0.21)
F	71 (2.80)	70 (2.76)
G	40 (1.57)	45 (1.77)

Figure 44: Filter dimensions, types FI0018A00 and FI0018A03



Dimension	Dimensions <i>mm (inches)</i>		
	FI0014A00	FI0015A00	FI0015A02
A	85 (3.35)	113.5 (4.47)	156 (6.14)
B	54 (2.13)	57.5 (2.26)	
C	40 (1.57)	46.6 (1.83)	
D	65 (2.56)	94 (3.70)	130.5 (5.14)
E	75 (2.95)	103 (4.06)	143 (5.63)
F	27 (1.06)	25 (0.98)	
G	12 (0.47)	12.4 (0.49)	
H	29.5 (1.16)	32.4 (1.28)	
J	5.3 (0.21)	4.4 (0.17)	5.3 (0.21)
K	6.3 (0.25)	6 (0.24)	
L	13.5 (0.53)	15.5 (0.61)	

Figure 45: Filter dimensions, types FI0014A00, FI0015A00, FI0015A02



	Dimensions mm (inches)	
Dimension	F10029A00	
A	255 (10.04)	
B	100 (3.94)	
C	244.5 (9.63)	
D	70 (2.76)	
E	40 (1.57)	
F	20 (0.79)	

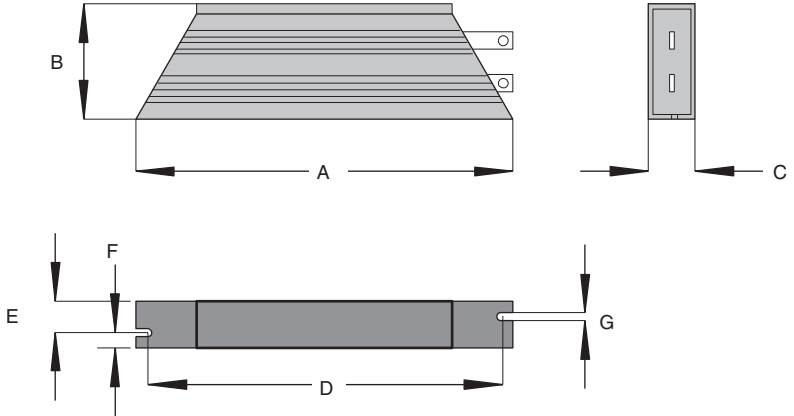
Figure 46: Filter dimensions, type F10029A00

A.1.4 Brake resistors

Depending on the application, MicroFlex might require an external brake resistor to be connected to pins R1 and R2 of connector X1. The brake resistor dissipates energy during braking to prevent an over-voltage error occurring. See sections 3.6 and 3.7 for details about choosing the correct resistor.



Electrical shock hazard. DC bus voltages may be present at these terminals. Use a suitable heatsink (with fan if necessary) to cool the brake resistor. The brake resistor and heatsink (if present) can reach temperatures in excess of 80 °C (176 °F).



Resistor	Power W	Res. Ω	Dimensions <i>mm (inches)</i>						
			A	B	C	D	E	F	G
RGJ139	100	39	165 (6.49)	41 (1.61)	22 (0.87)	152 (5.98)	12 (0.47)	10 (0.39)	4.3 (0.17)
RGJ160	100	60	165 (6.49)	41 (1.61)	22 (0.87)	152 (5.98)	12 (0.47)	10 (0.39)	4.3 (0.17)
RGJ260	200	60	165 (6.49)	60 (2.36)	30 (1.18)	146 (5.75)	17 (0.67)	13 (0.51)	5.3 (0.21)
RGJ360	300	60	215 (8.46)	60 (2.36)	30 (1.18)	196 (7.72)	17 (0.67)	13 (0.51)	5.3 (0.21)

Figure 47: Brake resistor dimensions

A.2 Cables

A wide range of motor and feedback cables are available.

A.2.1 Motor power cables

For easier installation, it is recommended that a color-coded motor power cable is used. The part number for a rotary motor power cable is derived as follows:

CBL	025	SP	-12	S		
	m	ft	SP	BSM style threaded motor connector (motor end only)	Current (Amps)	- Standard connector
	1.5	5*			6	S Stainless steel
	2.5	8.2			12	
	3.0	10*			20	
	5.0	16.4	WP	SDM style threaded motor connector (motor end only)	35	
	6.1	20*			50	
	7.5	24.6			90	
	9.1	30*				
	10	32.8				
	15	49.2	RP	Raw cable (no connector)		
	15.2	50*				
	20	65.6				
	22.9	75*				
	30.5	100*				

* North America only

Examples:

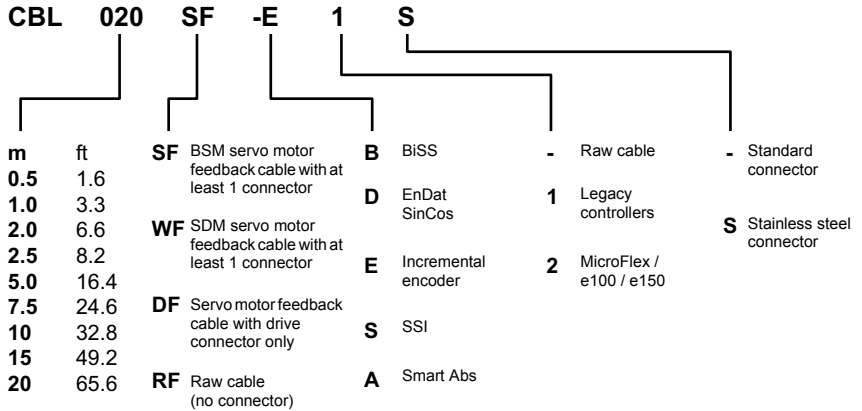
A 6.1 m cable, with a CE threaded standard connector, rated for 12 A has part number **CBL061SP-12**.

A 30.5 m cable, with a CE threaded stainless steel connector, rated for 20 A has part number **CBL305SP-20S**.

A 50 ft cable, with no connector, rated for 50 A has part number **CBL152RP-50**.

A.2.2 Feedback cable part numbers

The part number for a feedback cable is derived as follows:



Other lengths available on request

Example:

A 2 m encoder feedback cable for a MicroFlex, with required connectors at both ends, has part number **CBL020SF-E2**.

ABB feedback cables have the outer shield tied to the connector housing(s). If you are not using an ABB cable with your chosen feedback device, be sure to obtain a cable that is a shielded twisted pair 0.34 mm² (22 AWG) wire minimum, with an overall shield. Ideally, the cable should not exceed 30.5 m (100 ft) in length. Maximum wire-to-wire or wire-to-shield capacitance is 50 pF per 300 mm (1 ft) length, to a maximum of 5000 pF for 30.5 m (100 ft).

B.1 Introduction

The MicroFlex can be configured for three basic control modes:

- Current (Torque) control.
- Velocity (Speed) control.
- Step and Direction following/gearing.

The mode you require is selected in Mint WorkBench using the Commissioning Wizard. You can subsequently change between these control modes using the Tools, Control Mode menu item or by using the `CONTROLMODE` keyword in the Command window (see the Mint help file). Using the Parameter tool, you can define a mode for the drive to automatically select at start-up. The three control modes are described in the following sections.

B.1.1 Current (Torque) control

Setting the control mode to Current Control configures the MicroFlex or MicroFlex as a torque amplifier, as shown in Figure 51. Here, a torque reference is obtained from a specified source:

- Mint WorkBench
- A host using the ActiveX control
- Analog input

The source provides a signal that is fed into the Torque profiler.

The profiler generates a torque demand signal that smoothly changes between successive torque targets (reference values). This is achieved by specifying a rise time and fall time (see the Mint WorkBench Parameters tool). The torque demand signal is fed into the torque controller which determines the appropriate amount of current to apply to the windings of the motor.

This demand current is compared with the actual winding current measured from sensors, and a suitable pulse width modulation (PWM) signal is generated. This PWM signal is fed to the power electronics in the drive.

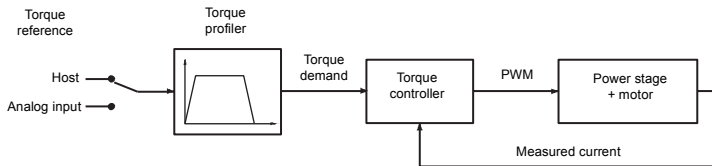


Figure 48: Control structure in Current (Torque) control mode

The torque controller is a PI (Proportional Integral) controller. Gains are set using the Mint keywords `KIPROP` and `KIINT`. The torque demand is scaled into a current demand. This is compared with the measured current, obtained from the current sensors, and the error is fed into the PI control calculation. The resulting value forms the PWM signal that is fed through the power stage into the motor windings. The gain values `KIPROP` and `KINT` must be tuned for a specific motor. This is performed automatically by the Commissioning Wizard.

The feedback device is used to determine motor position and speed. Motor speed can be filtered to reduce measurement noise if necessary. The time constant of this filter is specified using the keyword `KVTIME`. By default the filter is turned off (`KVTIME = 0`). Note that introducing a filter on measured speed tends to reduce the stability of the speed controller. This can make the tuning of the speed controller gains difficult if large values of `KVTIME` are used.

B.1.2 Velocity (Speed) control

Setting the control mode to Velocity Control configures the MicroFlex as a speed amplifier, as shown in Figure 52. Here, a speed reference is obtained from a specified source:

- Mint WorkBench
- A host using the ActiveX control
- Analog input

The source provides a signal that is fed into the Speed controller.

The profiler generates a speed demand signal that smoothly changes between successive speed targets (reference values). This is achieved by specifying acceleration and deceleration times (see the Mint WorkBench Parameters tool). The speed demand signal is fed into the speed controller and used, together with the speed measured from the feedback device, to generate a torque demand signal. If the speed controller is tuned correctly, the measured speed will accurately track the speed demand.

Finally, the torque demand signal is fed into a torque controller, which determines the appropriate amount of current to apply to the windings of the motor. This demand current is compared with the actual winding current measured from sensors, and a suitable pulse width modulation (PWM) signal is generated. This PWM signal is fed to the power electronics in the drive.

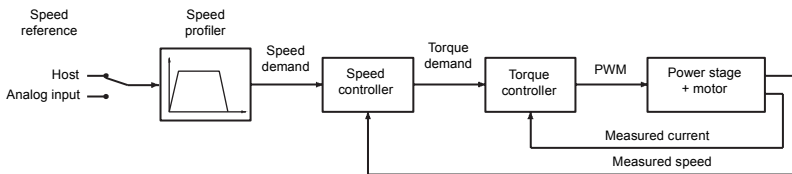


Figure 49: Control structure in Velocity control mode

The speed controller is a PI (Proportional Integral) controller. Gains are set using the Mint keywords `KVPROP`, and `KVINT`. The speed is compared with the measured speed and the error is fed into the PI control calculation. The speed control calculation is performed every 250 μ s, and the result forms the torque demand for the torque controller. As with the position controller, the gain values `KVPROP` and `KVINT` must be tuned for each application.

This can either be performed automatically within the Commissioning Wizard, or manually using the Fine-tuning tool of Mint WorkBench.

B.1.3 Position (Step and Direction) control

Setting the control mode to Position Control (Step and Direction) configures the MicroFlex as a positioning system, as shown in Figure 53, capable of following a position command signal.

The up down counter and gearing interpret the step and direction signals and use them to generate a position demand signal.

The position demand signal is fed into a position controller and used, together with the position measured from the feedback device, to generate a suitable speed demand signal. If the position controller is tuned correctly, the measured position will accurately track the position demand.

The speed demand signal from the position controller is fed into the speed controller and used, together with the speed measured from the feedback device, to generate a torque demand signal. If the speed controller is tuned correctly, the measured speed will accurately track the speed demand.

Finally, the torque demand signal is fed into a torque controller, which determines the appropriate amount of current to apply to the windings of the motor. This demand current is compared with the actual winding current measured from sensors, and a suitable pulse width modulation (PWM) signal is generated. This PWM signal is fed to the power electronics in the drive.

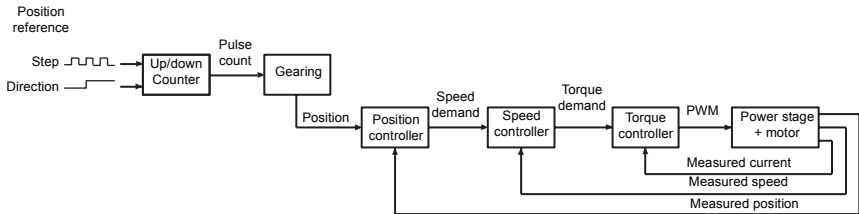


Figure 50: Control structure in Position control (Step and Direction)

C.1 Outline

This section provides general information regarding recommended methods of installation for CE compliance. It is not intended as an exhaustive guide to good practice and wiring techniques. It is assumed that the installer of the MicroFlex is sufficiently qualified to perform the task, and is aware of local regulations and requirements. A CE mark is attached to the drive to verify that the unit follows the provisions of the European, EMC, and machinery directives. A duly signed CE declaration of conformity is available from ABB.



C.1.1 CE marking

The CE marking indicates a product's compliance with EU legislation and so enables the free movement of products within the European market. By affixing the CE marking to a product, a manufacturer declares, on his sole responsibility, that the product meets all the legal requirements for the CE marking, which means that the product can be sold throughout the European Economic Area.

However, not all products must bear the CE marking, only product categories mentioned in specific EU directives on the CE marking. The purpose of the directives is to state a minimum technical requirement common to all the member states within the European Union. In turn, these minimum technical requirements are intended to enhance the levels of safety both directly and indirectly.

C.1.2 Compliance with the EMC Directive

EU directive 2004/108/EC relating to Electro Magnetic Compliance (EMC) indicates that it is the responsibility of the system integrator to ensure that the entire system complies with all protection requirements at the time of installing into service.

Motors and controls are used as components of a system, per the EMC directive. Hence all components, installation of the components, interconnection between components, and shielding and grounding of the system as a whole determines EMC compliance.

Compliance with the EN 61800-3

The drive meets the requirements of the EMC Directive with the following provisions:

- The drive is equipped with optional mains filter.
- The motor and control cables are selected as specified in *Basic Installation*.
- The drive is installed according to the instructions given in this manual.
- Motor cable length does not exceed 30 metres (98 ft).

C.1.3 Compliance with the Low Voltage Directive

The drive has been designed, constructed and equipped in such a way that when installed as instructed in this manual, all hazards of an electrical nature are, or can be, prevented. The drive complies with EN 61800-5-1 which specifies safety requirements in terms of electrical, thermal and energy.

Note: The final assembler of the machinery must take the necessary precautions to prevent all hazards of an electrical nature when integrating this equipment. General specifications for design of electrical equipment of machinery is given in EN 60204-1 and EN 60204-11. Specifications for electrical equipment are also given in many standards for specific categories of machinery.

C.1.4 Use of CE compliant components

The following points should be considered:

- **Using CE approved components will not guarantee a CE compliant system!**
- The components used in the drive, installation methods used, materials selected for interconnection of components are important.
- The installation methods, interconnection materials, shielding, filtering and earthing/grounding of the system as a whole will determine CE compliance.
- The responsibility of CE mark compliance rests entirely with the party who offers the end system for sale (such as an OEM or system integrator).

C.1.5 EMC wiring technique

Cabinet

Using a typical electroplated zinc coated enclosure, connected to earth/ground, means that all parts mounted on the back plane are connected to earth/ground and all outer shield (screen) connections can be connected to earth/ground. Within the cabinet there should be a spatial separation between power wiring (motor and AC power cables) and control wiring.

Shield (screen) connections

All connections between components must use shielded cables. The cable shields must be connected to the enclosure. Use conductive clamps to ensure good earth/ground connection. With this technique, a good earth/ground shield can be achieved.

EMC filters

The filter should be mounted next to the MicroFlex. The connections between the MicroFlex and the filter should use shielded (screened) cables. The cable shields should be connected to shield clamps at both ends. An exception to this is the analog command signal.

Earthing/grounding

For safety reasons (VDE0160), all ABB components must be connected to earth/ground with a separate wire. Earth/ground connections must be made from the central earth/ground (star point) to the brake resistor enclosure and from the central earth/ground (star point) to the power supply.

C.1.6 EMC installation suggestions

To ensure electromagnetic compatibility (EMC), the following installation points should be considered to help reduce interference:

- Earthing/grounding of all system elements to a central earth/ground point (star point)
- Shielding of all cables and signal wires
- Filtering of power lines.

A proper enclosure should have the following characteristics:

- All metal conducting parts of the enclosure must be electrically connected to the back plane. These connections should be made with an earthing/grounding strap from each element to a central earthing/grounding point (star point). *
- Keep the power wiring (motor and power cable) and control wiring separated. If these wires must cross, be sure they cross at 90 degrees to minimize noise due to induction.
- The shield connections of the signal and power cables should be connected to the shield rails or clamps. The shield rails or clamps should be conductive clamps fastened to the cabinet. **
- The cable to the brake resistor must be shielded. The shield must be connected to earth/ground at both ends.
- The location of the AC filter has to be situated close to the drive so the AC power wires are as short as possible.
- Wires inside the enclosure should be placed as close as possible to conducting metal, cabinet walls and plates. It is advised to terminate unused wires to chassis ground.*
- To reduce earth/ground current, use the largest suitable wire available for earth/ground connections.

* Earthing/grounding in general describes all metal parts which can be connected to a protective conductor, e.g. housing of cabinet, motor housing, etc. to a central earth/ground point (star point). This central earth/ground point (star point) is then connected to the main plant (or building) earth/ground.

** Or run as twisted pair at minimum.

C.1.7 Wiring of shielded (screened) cables

Remove the outer insulation to expose the overall shield. Clamp should provide 360° contact with the cable.

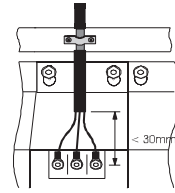
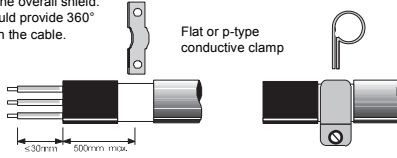


Figure 51: Earthing/grounding cable shields

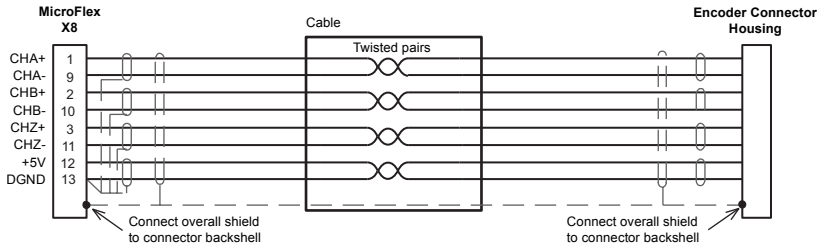


Figure 52: Encoder signal cable grounding

C.2 UL file numbers

The following table lists UL file numbers for ABB products (formerly Baldor) and other accessories. Note that UL file numbers for accessories that are not manufactured by ABB are beyond ABB's control and therefore subject to change without notice.

UL file number	Company	Description
E470302	ABB Motion Ltd	Drives
E46145	Baldor Electric Co.	Motors
E132956	Cabloswiss s.p.a.	Power cables (6 A, 12 A, 20 A, 25 A, 50 A, 90 A) Encoder cables Resolver/SSI cables EnDat cables
E192076	Unika Special Cables s.p.a	Power cables (6 A, 12 A, 20 A, 25 A, 50 A, 90 A) Encoder cables Resolver/SSI cables EnDat cables
E153698	Coninvers GmbH	Connectors
E64388	Schaffner EMV AG	AC filters
E70122	Epcos AG	AC filters
E212934	Frizlen GmbH & Co. KG	Brake resistors
E227820	RARA Electronics Corp.	Brake resistors

C.3 C-tick marking



"C-tick" marking is required in Australia and New Zealand. A "C-tick" mark is attached to each drive in order to verify compliance with the relevant standard (IEC 61800-3, *Adjustable speed electrical power drive systems - Part 3: EMC product standard including specific test methods*), mandated by the Trans-Tasman Mutual Recognition Arrangement (TTMRA).

C.3.1 RCM marking



RCM marking is pending for the drive.

C.4 RoHS compliance

MicroFlex is in conformity with Directive 2011/65/EU of the European parliament and of the council of 8th June 2011 on the restriction of the use of certain hazardous substances in electrical and electronic equipment. The RoHS declaration 3AXD10000429149 is available on www.abb.com/drives.

C.4.1 China RoHS marking



The People's Republic of China Electronic Industry Standard SJ/T 11364-2014 specifies the marking requirements for hazardous substances in electronic and electrical products. The '20' logo indicates the period, in years, during which the hazardous substances contained in the product will not leak or cause environmental pollution, bodily injury, or damage to other assets during normal use of the product.

Part	Hazardous substances					
	Lead (Pb)	Mercury (Hg)	Cadmium (Cd)	Hexavalent chromium (Cr(VI))	Polybrominated biphenyls (PBB)	Polybrominated diphenyl ethers (PBDE)
PCB	O	O	O	O	O	O
Heat sink	X	O	O	O	O	O
Metal parts	O	O	O	O	O	O
Plastic parts	O	O	O	O	O	O
Other non-metal parts	O	O	O	O	O	O
Fans	O	O	O	O	O	O
Cables/wires	O	O	O	O	O	O

The table is prepared in accordance with the provision of SJ/T 11364.

O: Indicates that said hazardous substance contained in all of the homogeneous materials for this part is below the limit requirement of GB/T 26572.

X: Indicates that said hazardous substance contained in at least one of the homogeneous materials used for this part is above the limit requirement of GB/T 26572. The limits are:

Pb: 1000 ppm (0.1%) Hg: 1000 ppm (0.1%) Cd: 100 ppm (0.01%)
 Cr6+: 1000 ppm (0.1%) PBB: 1000 ppm (0.1%) PBDE: 1000 ppm (0.1%)

PCBA: Includes Printed Circuit Board and the components.

Depending on the model/type of the product, it may not contain all of the above parts. It is subject to the actual model/type purchased.

The environmental protection period applies only when the product is used according to the conditions required by the user manual. To protect the environment and human health:

1. The scrapped product should be separated from domestic waste and sent to a qualified place of disposal.
 2. Recycling center should use appropriate methods to recycle/deal with the materials.
- For more information about recycling this product, please contact local government, recycling center or your local dealer.

C.4.2 WEEE notice



According to the requirements of the Waste Electrical and Electronic Equipment Directive (WEEE) the following information is provided.

This symbol indicates that the product must not be disposed of with other general waste. It is your responsibility to dispose of your waste electrical equipment by handing it over to a designated collection point for the recycling of waste electrical and electronic equipment. The separate collection and recycling of your waste equipment at the time of disposal will help conserve natural resources and ensure that it is recycled in a manner that protects human health and the environment. For more information about where you can recycle your waste, please contact your local authority.

A

- Abbreviations, 2-3
- Accessories, A-1
 - braking resistors, A-7
 - EMC filters, A-4
 - fan-tray, A-2
 - footprint filter, A-3
 - motor power cables, A-8
- Analog I/O, 5-2
 - analog input (demand), 5-2

B

- Basic Installation, 3-1
- Brake
 - capacity, 3-19
 - energy, 3-21
 - power, 3-21
 - resistor, 3-19
 - resistor, selection, 3-20
- Braking
 - specification, 8-3

C

- Catalog number
 - identifying, 2-2
- CE Guidelines, C-1
- Command window, 6-11
- Commissioning Wizard, 6-7
 - using, 6-7
- Configuration, 6-8
- Connections
 - See also* Input/Output
 - feedback, 4-1
 - motor, 3-17
 - power, 3-10, 3-11
- Connections *See* Input / Output
- Connector
 - locations, 3-9

- Control system, B-1
 - current (torque) control, B-2
 - position (step & direction) control, B-4
 - velocity (speed) control, B-3
- Cooling, 3-5, 3-6, 3-7, 3-8, A-2
 - overtemperature trips, 3-8

D

- Demand input, 5-2
- Derating, 3-6, 3-7, 3-8
- Digital I/O, 5-4
 - drive enable input, 5-5
 - general purpose digital input, 5-7
 - status output, 5-12
 - step & direction inputs, 5-9
- Dimensions, 3-4

E

- Earthing (grounding)
 - leakage, 3-10
 - protection class, 3-10
 - protective earth (PE), 3-10
- Encoder
 - cable, 4-3
 - feedback, 4-2
 - specification, 8-5
 - SSI *See* SSI
 - without Halls, 4-4
- Environmental
 - cooling, 3-3
 - location, 3-3
 - specification, 8-7

F

- Features, 2-2
- Feedback
 - connections, 4-1
 - encoder, 4-2
 - encoder without Halls, 4-4

Halls-only feedback, 4-4
Resolver, 4-7
SSI, 4-6

Filters
24V control circuit supply, 3-16
AC power (EMC), 3-15, A-4
part numbers, A-4

Footprint filter, A-3

Fuses, 3-14

G

General Information, 1-1

Grounding. *See* Earthing (grounding)

H

Hardware requirements, 3-1

Help file, 6-4

I

Input / Output, 4-1, 5-1

- analog I/O, 5-2
- analog input, 5-2, 8-4
- connection summary, 5-17
- digital I/O, 5-4
- drive enable input, 5-5, 8-4
- encoder output, 4-8, 8-6
- general purpose digital input, 5-7, 8-4
- serial port, 5-14, 8-6
 - multidrop using RS485/RS422 cable, 5-15
- status output, 5-12, 8-5
- step & direction inputs, 5-9, 8-4

Installation

See also Basic Installation

- cooling, 3-5, 3-6, 3-7, 3-8
- dimensions, 3-4
- mechanical, 3-3
- Mint Machine Center, 6-1
- Mint WorkBench, 6-1
- mounting, 3-5

L

LED indicator, 7-2

Linear motor

- cable configuration, 4-5

M

Mint WorkBench, 6-3

- Commissioning Wizard, 6-7
- fine-tuning tool, 6-8
- help file, 6-4
- other tools and windows, 6-11
- parameters tool, 6-10
- starting, 6-5

Motor

- circuit contactors, 3-18
- connections, 3-17
- power cable, A-8
- sinusoidal filter, 3-18

Mounting, 3-5

O

Operation, 6-1

- connecting to the PC, 6-1
- installing Mint Machine Center, 6-1
- installing Mint WorkBench, 6-1
- power on checks, 6-2
- preliminary checks, 6-2
- starting, 6-2

Operator panels

- HMI operator panels, 5-16

Overloads

- drive, 3-14
- motor, 3-17
- overtemperature trips, 3-8

P

Power

- 24V control circuit supply, 3-16
- connections, 3-10
- discharge time, 3-12
- disconnect and protection devices, 3-13
- input conditioning, 3-12
- input cycling, 3-12, 7-1
- inrush, 3-12
- sources, 3-1
- supply filters, 3-15, A-4
- using a variac, 3-13

Precautions, 1-2

Product Notice, 1-2

R

- Receiving and Inspection, 2-2
- Resolver, 4-7
 - specification, 8-6
- RS232, 5-14
 - specification, 8-6
- RS485, 5-15
 - multidrop using RS485/RS422 cable, 5-15

S

- Safety Notice, 1-2
- Serial port, 5-14
 - connecting serial Baldor HMI panels, 5-16
- Simulated encoder output, 4-8
- Specifications, 8-1
 - 24V control supply, 8-3
 - AC input power and bus voltage, 8-1, 8-3
 - analog input, 8-4
 - braking, 8-3
 - digital input, 8-4
 - encoder feedback, 8-5
 - encoder output, 8-6
 - environmental, 8-7
 - resolver feedback, 8-6
 - serial RS232 interface, 8-6
 - SSI feedback, 8-5
 - status output, 8-5
 - step & direction inputs, 8-4
- SSI, 4-6
 - specification, 8-5
- Status LED, 7-2
- Step & Direction, 5-9
 - specification, 8-4

T

- Tools, 3-2
- Troubleshooting, 6-1, 7-1
 - communication, 7-3
 - power cycling, 7-1
 - power on, 7-4
 - problem diagnosis, 7-1
 - Status LED, 7-2
 - SupportMe, 7-1

- tuning, 7-4

U

- UL file numbers, C-5
- Units and abbreviations, 2-3

W

- Wires sizes, 3-14

If you have any suggestions for improvements to this manual, please let us know. Write your comments in the space provided below, remove this page from the manual and mail it to:

Manuals
ABB Motion Ltd
6 Hawkley Drive
Bristol
BS32 0BF
United Kingdom.

Alternatively, you can e-mail your comments to:

manuals.uk@gb.abb.com

Comment:

continued...



Thank you for taking the time to help us.

Contact us

ABB Oy
Drives
P.O. Box 184
FI-00381 HELSINKI
FINLAND
Telephone +358 10 22 11
Fax +358 10 22 22681
www.abb.com/drives

ABB Motion Ltd
6 Hawley Drive
Bristol, BS32 0BF
United Kingdom
Telephone +44 (0) 1454 850000
Fax +44 (0) 1454 859001
www.abb.com/drives

ABB Inc.
Automation Technologies
Drives & Motors
16250 West Glendale Drive
New Berlin, WI 53151
USA
Telephone 262 785-3200
1-800-HELP-365
Fax 262 780-5135
www.abb.com/drives

ABB Beijing Drive Systems Co. Ltd.
No. 1, Block D, A-10 Jiuxianqiao Beilu
Chaoyang District
Beijing, P.R. China, 100015
Telephone +86 10 5821 7788
Fax +86 10 5821 7618
www.abb.com/drives



LT0315A03EN

Power and productivity
for a better world™

