



1394 Shunt Modules Fuse Replacement Kit (Catalog Numbers 1394-SR10, -SR9A, -SR9AF, -SR36A, and -SR36AF)

This document illustrates replacing the fuse in the 1394 shunt modules (Catalog Numbers 1394-SR10, -SR9A, -SR9AF, -SR36A, and -SR36AF).

Replacing the 1394-SR10 Fuse

To replace the 1394-SR10 shunt module fuse:

1. Remove power from your system including power to the shunt module.



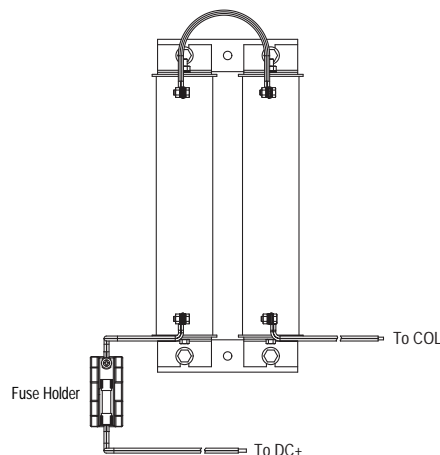
ATTENTION: This system may have multiple sources of power. More than one disconnect switch may be required to de-energize the system. To avoid shock hazard or personal injury, verify that all power has been removed before proceeding.



ATTENTION: This product contains stored energy devices. To avoid hazard of electrical shock, verify that all voltage on the capacitors has been discharged before attempting to service, repair, or remove this unit. You should only attempt the procedures in this document if you are qualified to do so and familiar with solid-state control equipment and the safety procedures in publication NFPA 70E.

2. Locate the fuse holder.

Figure 1
Fuse Holder Location



Replacing the 1394-SR9A, -SR9AF, -SR36A, and -SR36AF Fuse and Label

3. Remove the fuse from the fuse holder with the fuse puller tool.
4. Insert the new Bussmann 700V 40A fuse (FWP40A14F) or equivalent into the 1394-SR10A fuse holder.
5. Apply power to your system.

To replace the 1394-SR9A, -SR9AF, -SR36A, and -SR36AF shunt module fuse and label:

1. Remove power from your system including the shunt module.



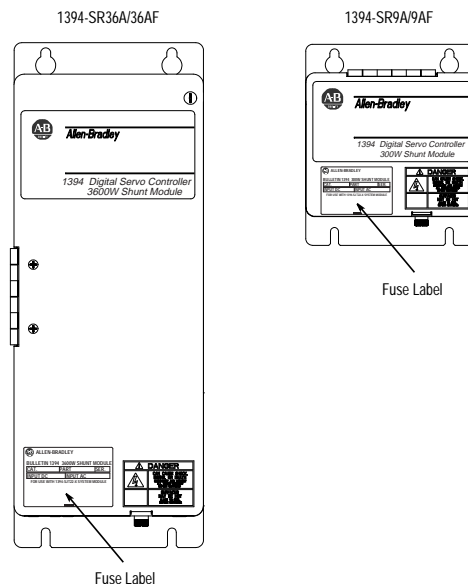
ATTENTION: This system may have multiple sources of power. More than one disconnect switch may be required to de-energize the system. To avoid shock hazard or personal injury, verify that all power has been removed before proceeding.



ATTENTION: This product contains stored energy devices. To avoid hazard of electrical shock, verify that all voltage on the capacitors has been discharged before attempting to service, repair, or remove this unit. You should only attempt the procedures in this document if you are qualified to do so and familiar with solid-state control equipment and the safety procedures in publication NFPA 70E.

2. Examine the fuse label for the UL mark.

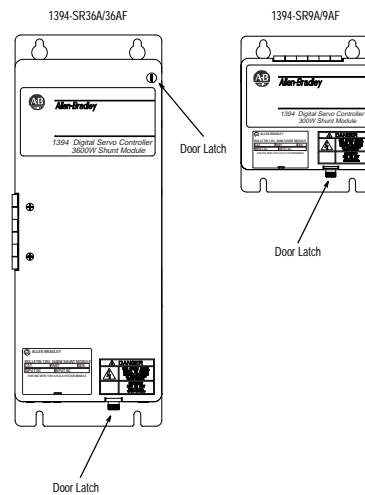
Figure 2
Locating the UL Mark on the Fuse Label



If your 1394-SR9A, -SR9AF, -SR36A, or -SR36AF shunt module:	You need a:
Has the UL mark	Bussmann 600V DC 50A fuse (FWP50A14F) or equivalent.
Does not have the UL mark	Bussmann 600V DC 40A fuse (170N2013) or equivalent.

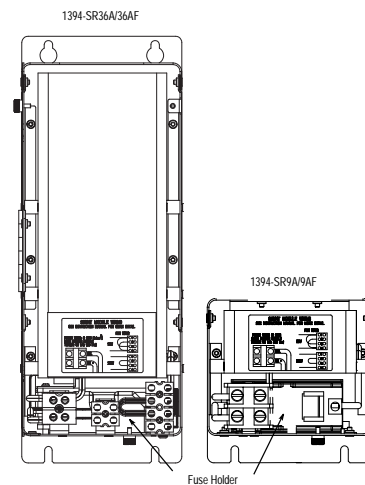
3. Locate the door panel latch(es).

Figure 3
1394 Shunt Modules Door Latches



4. Undo the door panel latch(es).
5. Open the door panel.
6. Locate the fuse holder.

Figure 4
Locating the Fuse Holder for the 1394 Shunt Modules



7. Remove the fuse from the fuse holder with the fuse puller tool.

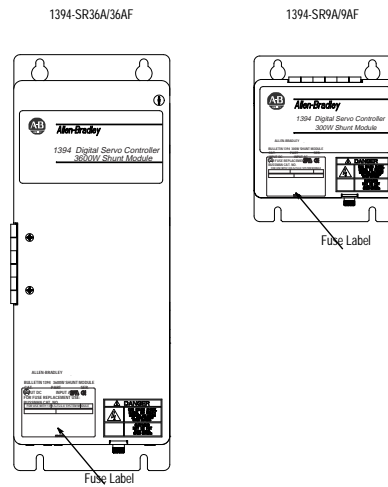
If your 1394-SR9A, -SR9AF, -SR36A, or -SR36AF shunt module:	Replace the fuse with a:
Has the UL mark	Bussmann 600V DC 50A fuse (FWP50A14F) or equivalent.
Does not have the UL mark	Bussmann 600V DC 40A fuse (170N2013) or equivalent.

8. Close the door panel.

9. Secure the door panel.

10. Attach the new fuse label over the existing fuse label on the front door panel of the shunt module.

Figure 5
New Fuse Label Attached to the 1394 Shunt Modules



11. Apply power to your system including the shunt module.

For more information refer to our web site: www.ab.com/motion

For Rockwell Automation Technical Support information refer to: www.rockwellautomation.com/support or Tel: (1) 440.646.3434

www.rockwellautomation.com

Power, Control and Information Solutions Headquarters

Americas: Rockwell Automation, 1201 South Second Street, Milwaukee, WI 53204-2496 USA, Tel: (1) 414.382.2000, Fax: (1) 414.382.4444

Europe/Middle East/Africa: Rockwell Automation, Vorstlaan/Boulevard du Souverain 36, 1170 Brussels, Belgium, Tel: (32) 2 663 0600, Fax: (32) 2 663 0640

Asia Pacific: Rockwell Automation, Level 14, Core F, Cyberport 3, 100 Cyberport Road, Hong Kong, Tel: (852) 2887 4788, Fax: (852) 2508 1846